

GigaDevice Semiconductor Inc.

GD32E235xx

ARM[®] Cortex[®]-M23 32-bit MCU

Datasheet

Revision 1.7

(Apr. 2025)

Table of Contents

| | |
|---|-----------|
| Table of Contents | 1 |
| List of Figures | 4 |
| List of Tables | 5 |
| 1 General description | 7 |
| 2 Device overview | 8 |
| 2.1 Device information | 8 |
| 2.2 Block diagram..... | 11 |
| 2.3 Pinouts and pin assignment..... | 12 |
| 2.4 Memory map | 16 |
| 2.5 Clock tree..... | 18 |
| 2.6 Pin definitions..... | 19 |
| 2.6.1 GD32E235Cx LQFP48 pin definitions | 19 |
| 2.6.2 GD32E235Cx QFN48 pin definitions | 22 |
| 2.6.3 GD32E235Kx LQFP32 pin definitions | 25 |
| 2.6.4 GD32E235Kx QFN32 pin definitions | 27 |
| 2.6.5 GD32E235Gx QFN28 pin definitions..... | 29 |
| 2.6.6 GD32E235Ex TSSOP24 pin definitions..... | 32 |
| 2.6.7 GD32E235Fx TSSOP20 pin definitions..... | 33 |
| 2.6.8 GD32E235Fx LGA20 pin definitions..... | 35 |
| 2.6.9 GD32E235xx pin alternate functions | 37 |
| 3 Functional description | 40 |
| 3.1 ARM® Cortex®-M23 core | 40 |
| 3.2 Embedded memory | 40 |
| 3.3 Clock, reset and supply management..... | 40 |
| 3.4 Boot modes..... | 41 |
| 3.5 Power saving modes | 41 |
| 3.6 Analog to digital converter (ADC) | 42 |
| 3.7 DMA..... | 42 |
| 3.8 General-purpose inputs/outputs (GPIOs) | 43 |
| 3.9 Timers and PWM generation..... | 43 |
| 3.10 Real time clock (RTC) | 44 |
| 3.11 Inter-integrated circuit (I2C) | 45 |

| | | |
|----------|---|-----------|
| 3.12 | Serial peripheral interface (SPI) | 45 |
| 3.13 | Universal synchronous asynchronous receiver transmitter (USART) | 45 |
| 3.14 | Inter-IC sound (I2S) | 46 |
| 3.15 | Comparators (CMP)..... | 46 |
| 3.16 | Debug mode | 46 |
| 3.17 | Package and operation temperature..... | 46 |
| 4 | Electrical characteristics..... | 48 |
| 4.1 | Absolute maximum ratings..... | 48 |
| 4.2 | Operating conditions characteristics..... | 49 |
| 4.3 | Power consumption | 50 |
| 4.4 | EMC characteristics | 55 |
| 4.5 | Power supply supervisor characteristics | 56 |
| 4.6 | External clock characteristics | 57 |
| 4.7 | Internal clock characteristics | 59 |
| 4.8 | PLL characteristics..... | 60 |
| 4.9 | Memory characteristics..... | 61 |
| 4.10 | NRST pin characteristics | 61 |
| 4.11 | GPIO characteristics | 62 |
| 4.12 | ADC characteristics | 63 |
| 4.13 | Temperature sensor characteristics..... | 65 |
| 4.14 | Comparators characteristics..... | 65 |
| 4.15 | TIMER characteristics..... | 66 |
| 4.16 | I2C characteristics | 67 |
| 4.17 | SPI characteristics | 68 |
| 4.18 | I2S characteristics..... | 70 |
| 4.19 | USART characteristics..... | 72 |
| 4.20 | WDGT characteristics | 72 |
| 4.21 | Parameter conditions..... | 72 |
| 5 | Package information..... | 73 |
| 5.1 | LQFP48 package outline dimensions..... | 73 |
| 5.2 | QFN48 package outline dimensions | 75 |
| 5.3 | LQFP32 package outline dimensions..... | 77 |



| | | |
|-----|--|----|
| 5.4 | QFN32 package outline dimensions | 79 |
| 5.5 | QFN28 package outline dimensions | 81 |
| 5.6 | TSSOP24 package outline dimensions | 83 |
| 5.7 | TSSOP20 package outline dimensions | 85 |
| 5.8 | LGA20 package outline dimensions | 87 |
| 5.9 | Thermal characteristics | 89 |
| 6 | Ordering information | 91 |
| 7 | Revision history | 93 |

List of Figures

| | |
|--|----|
| Figure 2-1. GD32E235xx block diagram | 11 |
| Figure 2-2. GD32E235Cx LQFP48 pinouts | 12 |
| Figure 2-3. GD32E235Cx QFN48 pinouts | 12 |
| Figure 2-4. GD32E235Kx LQFP32 pinouts | 13 |
| Figure 2-5. GD32E235Kx QFN32 pinouts | 13 |
| Figure 2-6. GD32E235Gx QFN28 pinouts | 14 |
| Figure 2-7. GD32E235Ex TSSOP24 pinouts | 14 |
| Figure 2-8. GD32E235Fx TSSOP20 pinouts | 14 |
| Figure 2-9. GD32E235Fx LGA20 pinouts | 15 |
| Figure 2-10. GD32E235xx clock tree | 18 |
| Figure 4-1. Recommended power supply decoupling capacitors ⁽¹⁾⁽²⁾ | 49 |
| Figure 4-2. Typical supply current consumption in Run mode | 54 |
| Figure 4-3. Typical supply current consumption in Sleep mode | 54 |
| Figure 4-4. Recommended external NRST pin circuit | 61 |
| Figure 4-5. I/O port AC characteristics definition | 63 |
| Figure 4-6. CMP hysteresis | 66 |
| Figure 4-7. I2C bus timing diagram | 67 |
| Figure 4-8. SPI timing diagram - master mode | 68 |
| Figure 4-9. SPI timing diagram - slave mode | 69 |
| Figure 4-10. I2S timing diagram - master mode | 71 |
| Figure 4-11. I2S timing diagram - slave mode | 71 |
| Figure 5-1. LQFP48 package outline | 73 |
| Figure 5-2. LQFP48 recommended footprint | 74 |
| Figure 5-3. QFN48 package outline | 75 |
| Figure 5-4. QFN48 recommended footprint | 76 |
| Figure 5-5. LQFP32 package outline | 77 |
| Figure 5-6. LQFP32 recommended footprint | 78 |
| Figure 5-7. QFN32 package outline | 79 |
| Figure 5-8. QFN32 recommended footprint | 80 |
| Figure 5-9. QFN28 package outline | 81 |
| Figure 5-10. QFN28 recommended footprint | 82 |
| Figure 5-11. TSSOP24 package outline | 83 |
| Figure 5-12. TSSOP24 recommended footprint | 84 |
| Figure 5-13. TSSOP20 package outline | 85 |
| Figure 5-14. TSSOP20 recommended footprint | 86 |
| Figure 5-15. LGA20 package outline | 87 |
| Figure 5-16. LGA20 recommended footprint | 88 |

List of Tables

| | |
|--|----|
| Table 2-1. GD32E235xx devices features and peripheral list..... | 8 |
| Table 2-2. GD32E235xx devices features and peripheral list (continued)..... | 9 |
| Table 2-3. GD32E235xx devices features and peripheral list (continued)..... | 10 |
| Table 2-4. GD32E235xx memory map..... | 16 |
| Table 2-5. GD32E235Cx LQFP48 pin definitions | 19 |
| Table 2-6. GD32E235Cx QFN48 pin definitions | 22 |
| Table 2-7. GD32E235Kx LQFP32 pin definitions | 25 |
| Table 2-8. GD32E235Kx QFN32 pin definitions | 27 |
| Table 2-9. GD32E235Gx QFN28 pin definitions | 29 |
| Table 2-10. GD32E235Ex TSSOP24 pin definitions..... | 32 |
| Table 2-11. GD32E235Fx TSSOP20 pin definitions..... | 33 |
| Table 2-12. GD32E235Fx LGA20 pin definitions..... | 35 |
| Table 2-13. Port A alternate functions summary | 37 |
| Table 2-14. Port B alternate functions summary | 38 |
| Table 2-15. Port F alternate functions summary | 38 |
| Table 4-1. Absolute maximum ratings ⁽¹⁾⁽⁴⁾ | 48 |
| Table 4-2. DC operating conditions | 49 |
| Table 4-3. Clock frequency ⁽¹⁾ | 49 |
| Table 4-4. Operating conditions at Power up/ Power down ⁽¹⁾ | 49 |
| Table 4-5. Start-up timings of Operating conditions ⁽¹⁾⁽²⁾⁽³⁾ | 49 |
| Table 4-6. Power saving mode wakeup timings characteristics ⁽¹⁾⁽²⁾ | 50 |
| Table 4-7. Power consumption characteristics ⁽²⁾⁽³⁾⁽⁴⁾⁽⁵⁾ | 50 |
| Table 4-8. System level ESD and EFT characteristics ⁽¹⁾ | 55 |
| Table 4-9. EMI characteristics ⁽¹⁾ | 55 |
| Table 4-10. Component level ESD and latch-up characteristics ⁽¹⁾ | 56 |
| Table 4-11. Power supply supervisor characteristics ⁽¹⁾ | 56 |
| Table 4-12. High speed external clock (HXTAL) generated from a crystal/ceramic characteristics . | 57 |
| Table 4-13. High speed external user clock characteristics (HXTAL in bypass mode)..... | 57 |
| Table 4-14. Low speed external clock (LXTAL) generated from a crystal/ceramic characteristics .. | 58 |
| Table 4-15. Low speed external user clock characteristics (LXTAL in bypass mode)..... | 58 |
| Table 4-16. High speed internal clock (IRC8M) characteristics | 59 |
| Table 4-17. Low speed internal clock (IRC40K) characteristics | 59 |
| Table 4-18. High speed internal clock (IRC28M) characteristics | 60 |
| Table 4-19. PLL characteristics | 60 |
| Table 4-20. Flash memory characteristics | 61 |
| Table 4-21. NRST pin characteristics..... | 61 |
| Table 4-22. I/O port DC characteristics ⁽¹⁾⁽³⁾ | 62 |
| Table 4-23. I/O port AC characteristics ⁽¹⁾⁽²⁾ | 62 |
| Table 4-24. ADC characteristics | 63 |
| Table 4-25. Internal reference voltage calibration values | 64 |



| | |
|--|----|
| Table 4-26. ADC R_{AIN} max for $f_{ADC} = 28$ MHz ⁽¹⁾⁽²⁾ | 64 |
| Table 4-27. ADC dynamic accuracy at $f_{ADC} = 28$ MHz ⁽¹⁾ | 64 |
| Table 4-28. ADC static accuracy at $f_{ADC} = 28$ MHz ⁽¹⁾ | 64 |
| Table 4-29. Temperature sensor characteristics | 65 |
| Table 4-30. Temperature sensor calibration values | 65 |
| Table 4-31. CMP characteristics ⁽¹⁾ | 65 |
| Table 4-32. TIMER characteristics ⁽¹⁾ | 66 |
| Table 4-33. I2C characteristics ⁽¹⁾⁽²⁾ | 67 |
| Table 4-34. Standard SPI characteristics ⁽¹⁾ | 68 |
| Table 4-35. I2S characteristics ⁽¹⁾ | 70 |
| Table 4-36. USART characteristics ⁽¹⁾ | 72 |
| Table 4-37. FWDGT min/max timeout period at 40 kHz (IRC40K) ⁽¹⁾ | 72 |
| Table 4-38. WWDGT min-max timeout value at 72 MHz (f_{PCLK1}) ⁽¹⁾ | 72 |
| Table 5-1. LQFP48 package dimensions | 73 |
| Table 5-2. QFN48 package dimensions | 75 |
| Table 5-3. LQFP32 package dimensions | 77 |
| Table 5-4. QFN32 package dimensions | 79 |
| Table 5-5. QFN28 package dimensions | 81 |
| Table 5-6. TSSOP24 package dimensions | 83 |
| Table 5-7. TSSOP20 package dimensions | 85 |
| Table 5-8. LGA20 package dimensions | 87 |
| Table 5-9. Package thermal characteristics ⁽¹⁾ | 89 |
| Table 6-1. Part ordering code for GD32E235xx devices | 91 |
| Table 7-1. Revision history | 93 |

1 General description

The GD32E235xx device belongs to the value line of GD32 MCU family. It is a new 32-bit general-purpose microcontroller based on the ARM® Cortex®-M23 core. The Cortex-M23 processor is an energy-efficient processor with a very low gate count. It is intended to be used for microcontroller and deeply embedded applications that require an area-optimized processor. The processor delivers high energy efficiency through a small but powerful instruction set and extensively optimized design, providing high-end processing hardware including a single-cycle multiplier and a 17-cycle divider.

The GD32E235xx device incorporates the ARM® Cortex®-M23 32-bit processor core operating at up to 72 MHz frequency with Flash accesses 0~2 wait states to obtain maximum efficiency. It provides up to 128 KB embedded Flash memory and up to 16 KB SRAM memory. An extensive range of enhanced I/Os and peripherals connected to two APB buses. The devices offer one 12-bit ADC and one comparator, up to five general 16-bit timers, a basic timer, a PWM advanced timer, as well as standard and advanced communication interfaces: up to two SPIs, two I2Cs, two USARTs, and an I2S.

The device operates from a 1.8 to 3.6 V power supply and available in –40 to +85 °C temperature range for grade 6 devices, and -40°C to +105°C temperature range for grade 7 devices. Several power saving modes provide the flexibility for maximum optimization between wakeup latency and power consumption, an especially important consideration in low power applications.

The above features make the GD32E235xx devices suitable for a wide range of applications, especially in areas such as industrial control, motor drives, user interface, power monitor and alarm systems, consumer and handheld equipment, gaming and GPS, E-bike and so on.



2 Device overview

2.1 Device information

Table 2-1. GD32E235xx devices features and peripheral list

| Part Number | | GD32E235 | | | | | | | | | | |
|--------------|------------------------|----------------------------------|----------------------------------|---------------------------------|---------------------------------|----------------------------------|----------------------------------|---------------------------------|---------------------------------|---------------------------------|---------------------------------|---------------------------------|
| | | K4T6 | K6T6 | K8T6 | KBT6 | C4T6 | C6T6 | C8T6 | C8T7 | CBT6 | CBT7 | CBO6 |
| FLASH (KB) | | 16 | 32 | 64 | 128 | 16 | 32 | 64 | 64 | 128 | 128 | 128 |
| SRAM (KB) | | 4 | 6 | 8 | 16 | 4 | 6 | 8 | 8 | 16 | 16 | 16 |
| Timers | General timer(16-bit) | 4 <small>(2,13,15,16)</small> | 4 <small>(2,13,15,16)</small> | 5 <small>(2,13-16)</small> | 5 <small>(2,13-16)</small> | 4 <small>(2,13,15,16)</small> | 4 <small>(2,13,15,16)</small> | 5 <small>(2,13-16)</small> | 5 <small>(2,13-16)</small> | 5 <small>(2,13-16)</small> | 5 <small>(2,13-16)</small> | 5 <small>(2,13-16)</small> |
| | Advanced timer(16-bit) | 1 <small>(0)</small> | 1 <small>(0)</small> | 1 <small>(0)</small> | 1 <small>(0)</small> | 1 <small>(0)</small> | 1 <small>(0)</small> | 1 <small>(0)</small> | 1 <small>(0)</small> | 1 <small>(0)</small> | 1 <small>(0)</small> | 1 <small>(0)</small> |
| | SysTick | 1 | 1 | 1 | 1 | 1 | 1 | 1 | 1 | 1 | 1 | 1 |
| | Basic timer(16-bit) | 1 <small>(5)</small> | 1 <small>(5)</small> | 1 <small>(5)</small> | 1 <small>(5)</small> | 1 <small>(5)</small> | 1 <small>(5)</small> | 1 <small>(5)</small> | 1 <small>(5)</small> | 1 <small>(5)</small> | 1 <small>(5)</small> | 1 <small>(5)</small> |
| | Watchdog | 2 | 2 | 2 | 2 | 2 | 2 | 2 | 2 | 2 | 2 | 2 |
| | RTC | 1 | 1 | 1 | 1 | 1 | 1 | 1 | 1 | 1 | 1 | 1 |
| Connectivity | USART | 1 <small>(0)</small> | 2 <small>(0-1)</small> | 2 <small>(0-1)</small> | 2 <small>(0-1)</small> | 1 <small>(0)</small> | 2 <small>(0-1)</small> | 2 <small>(0-1)</small> | 2 <small>(0-1)</small> | 2 <small>(0-1)</small> | 2 <small>(0-1)</small> | 2 <small>(0-1)</small> |
| | I2C | 1 <small>(0)</small> | 1 <small>(0)</small> | 2 <small>(0-1)</small> | 2 <small>(0-1)</small> | 1 <small>(0)</small> | 1 <small>(0)</small> | 2 <small>(0-1)</small> | 2 <small>(0-1)</small> | 2 <small>(0-1)</small> | 2 <small>(0-1)</small> | 2 <small>(0-1)</small> |
| | SPI/I2S | 1/1 <small>(0)/(0)</small> | 1/1 <small>(0)/(0)</small> | 2/1 <small>(0-1)/(0)</small> | 2/1 <small>(0-1)/(0)</small> | 1/1 <small>(0)/(0)</small> | 1/1 <small>(0)/(0)</small> | 2/1 <small>(0-1)/(0)</small> | 2/1 <small>(0-1)/(0)</small> | 2/1 <small>(0-1)/(0)</small> | 2/1 <small>(0-1)/(0)</small> | 2/1 <small>(0-1)/(0)</small> |
| GPIO | | 25 | 25 | 25 | 25 | 39 | 39 | 39 | 39 | 39 | 39 | 39 |
| CMP | | 1 | 1 | 1 | 1 | 1 | 1 | 1 | 1 | 1 | 1 | 1 |
| EXTI | | 16 | 16 | 16 | 16 | 16 | 16 | 16 | 16 | 16 | 16 | 16 |
| ADC | Units | 1 | 1 | 1 | 1 | 1 | 1 | 1 | 1 | 1 | 1 | 1 |
| | Channels (External) | 10 | 10 | 10 | 10 | 10 | 10 | 10 | 10 | 10 | 10 | 10 |
| | Channels (Internal) | 2 | 2 | 2 | 2 | 2 | 2 | 2 | 2 | 2 | 2 | 2 |
| Package | | LQFP32 | | | | LQFP48 | | | | | | QFN48 |

Table 2-2. GD32E235xx devices features and peripheral list (continued)

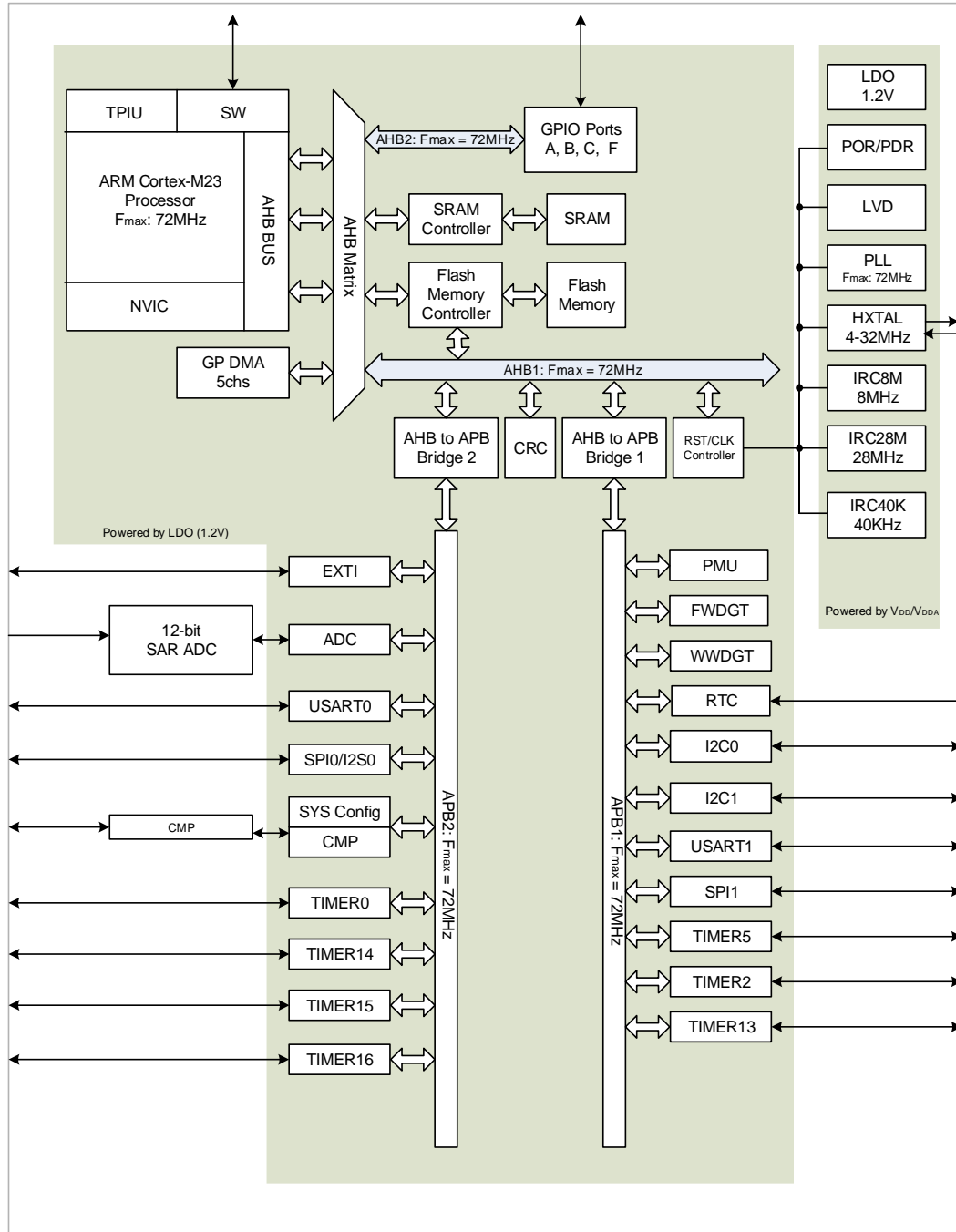
| Part Number | | GD32E235 | | | | | | | | | | |
|--------------|------------------------|----------------------------------|----------------------------------|----------------------------------|----------------------------------|----------------------------------|----------------------------------|----------------------------------|----------------------------------|----------------------------------|---------------------------------|---------------------------------|
| | | F4V6 | F6V6 | F8V6 | F4P6 | F6P6 | F8P6 | E8P6 | G4U6 | G6U6 | G8U6 | GBU7 |
| FLASH (KB) | | 16 | 32 | 64 | 16 | 32 | 64 | 64 | 16 | 32 | 64 | 128 |
| SRAM (KB) | | 4 | 6 | 8 | 4 | 6 | 8 | 8 | 4 | 6 | 8 | 16 |
| Timers | General timer(16-bit) | 4 <small>(2,13,15,16)</small> | 4 <small>(2,13,15,16)</small> | 4 <small>(2,13,15,16)</small> | 4 <small>(2,13,15,16)</small> | 4 <small>(2,13,15,16)</small> | 4 <small>(2,13,15,16)</small> | 4 <small>(2,13,15,16)</small> | 4 <small>(2,13,15,16)</small> | 4 <small>(2,13,15,16)</small> | 5 <small>(2,13-16)</small> | 5 <small>(2,13-16)</small> |
| | Advanced timer(16-bit) | 1 <small>(0)</small> | 1 <small>(0)</small> | 1 <small>(0)</small> | 1 <small>(0)</small> | 1 <small>(0)</small> | 1 <small>(0)</small> | 1 <small>(0)</small> | 1 <small>(0)</small> | 1 <small>(0)</small> | 1 <small>(0)</small> | 1 <small>(0)</small> |
| | SysTick | 1 | 1 | 1 | 1 | 1 | 1 | 1 | 1 | 1 | 1 | 1 |
| | Basic timer(16-bit) | 1 <small>(5)</small> | 1 <small>(5)</small> | 1 <small>(5)</small> | 1 <small>(5)</small> | 1 <small>(5)</small> | 1 <small>(5)</small> | 1 <small>(5)</small> | 1 <small>(5)</small> | 1 <small>(5)</small> | 1 <small>(5)</small> | 1 <small>(5)</small> |
| | Watchdog | 2 | 2 | 2 | 2 | 2 | 2 | 2 | 2 | 2 | 2 | 2 |
| | RTC | 1 | 1 | 1 | 1 | 1 | 1 | 1 | 1 | 1 | 1 | 1 |
| Connectivity | USART | 1 <small>(0)</small> | 2 <small>(0-1)</small> | 2 <small>(0-1)</small> | 1 <small>(0)</small> | 2 <small>(0-1)</small> | 2 <small>(0-1)</small> | 2 <small>(0-1)</small> | 1 <small>(0)</small> | 2 <small>(0-1)</small> | 2 <small>(0-1)</small> | 2 <small>(0-1)</small> |
| | I2C | 1 <small>(0)</small> | 1 <small>(0)</small> | 2 <small>(0-1)</small> | 1 <small>(0)</small> | 1 <small>(0)</small> | 2 <small>(0-1)</small> | 2 <small>(0-1)</small> | 1 <small>(0)</small> | 1 <small>(0)</small> | 2 <small>(0-1)</small> | 2 <small>(0-1)</small> |
| | SPI/I2S | 1/1 <small>(0)/(0)</small> | 1/1 <small>(0)/(0)</small> | 2/1 <small>(0-1)/(0)</small> | 1/1 <small>(0)/(0)</small> | 1/1 <small>(0)/(0)</small> | 2/1 <small>(0-1)/(0)</small> | 2/1 <small>(0-1)/(0)</small> | 1/1 <small>(0)/(0)</small> | 1/1 <small>(0)/(0)</small> | 2/1 <small>(0-1)/(0)</small> | 2/1 <small>(0-1)/(0)</small> |
| GPIO | | 15 | 15 | 15 | 15 | 15 | 15 | 19 | 23 | 23 | 23 | 23 |
| CMP | | 1 | 1 | 1 | 1 | 1 | 1 | 1 | 1 | 1 | 1 | 1 |
| EXTI | | 16 | 16 | 16 | 16 | 16 | 16 | 16 | 16 | 16 | 16 | 16 |
| ADC | Units | 1 | 1 | 1 | 1 | 1 | 1 | 1 | 1 | 1 | 1 | 1 |
| | Channels (External) | 9 | 9 | 9 | 9 | 9 | 9 | 10 | 10 | 10 | 10 | 10 |
| | Channels (Internal) | 2 | 2 | 2 | 2 | 2 | 2 | 2 | 2 | 2 | 2 | 2 |
| Package | | LGA20 | | | TSSOP20 | | | TSSO P24 | QFN28 | | | |

Table 2-3. GD32E235xx devices features and peripheral list (continued)

| Part Number | | GD32E235 | | | | |
|--------------|------------------------|----------------------------------|----------------------------------|---------------------------------|---------------------------------|---------------------------------|
| | | K4U6 | K6U6 | K8U6 | K8U7 | KBU6 |
| FLASH (KB) | | 16 | 32 | 64 | 64 | 128 |
| SRAM (KB) | | 4 | 6 | 8 | 8 | 16 |
| Timers | General timer(16-bit) | 4 <small>(2,13,15,16)</small> | 4 <small>(2,13,15,16)</small> | 5 <small>(2,13-16)</small> | 5 <small>(2,13-16)</small> | 5 <small>(2,13-16)</small> |
| | Advanced timer(16-bit) | 1 <small>(0)</small> | 1 <small>(0)</small> | 1 <small>(0)</small> | 1 <small>(0)</small> | 1 <small>(0)</small> |
| | SysTick | 1 | 1 | 1 | 1 | 1 |
| | Basic timer(16-bit) | 1 <small>(5)</small> | 1 <small>(5)</small> | 1 <small>(5)</small> | 1 <small>(5)</small> | 1 <small>(5)</small> |
| | Watchdog | 2 | 2 | 2 | 2 | 2 |
| | RTC | 1 | 1 | 1 | 1 | 1 |
| Connectivity | USART | 1 <small>(0)</small> | 2 <small>(0-1)</small> | 2 <small>(0-1)</small> | 2 <small>(0-1)</small> | 2 <small>(0-1)</small> |
| | I2C | 1 <small>(0)</small> | 1 <small>(0)</small> | 2 <small>(0-1)</small> | 2 <small>(0-1)</small> | 2 <small>(0-1)</small> |
| | SPI/I2S | 1/1 <small>(0)/(0)</small> | 1/1 <small>(0)/(0)</small> | 2/1 <small>(0-1)/(0)</small> | 2/1 <small>(0-1)/(0)</small> | 2/1 <small>(0-1)/(0)</small> |
| GPIO | | 27 | 27 | 27 | 27 | 27 |
| CMP | | 1 | 1 | 1 | 1 | 1 |
| EXTI | | 16 | 16 | 16 | 16 | 16 |
| ADC | Units | 1 | 1 | 1 | 1 | 1 |
| | Channels (External) | 10 | 10 | 10 | 10 | 10 |
| | Channels (Internal) | 2 | 2 | 2 | 2 | 2 |
| Package | | QFN32 | | | | |

2.2 Block diagram

Figure 2-1. GD32E235xx block diagram



2.3 Pinouts and pin assignment

Figure 2-2. GD32E235Cx LQFP48 pinouts

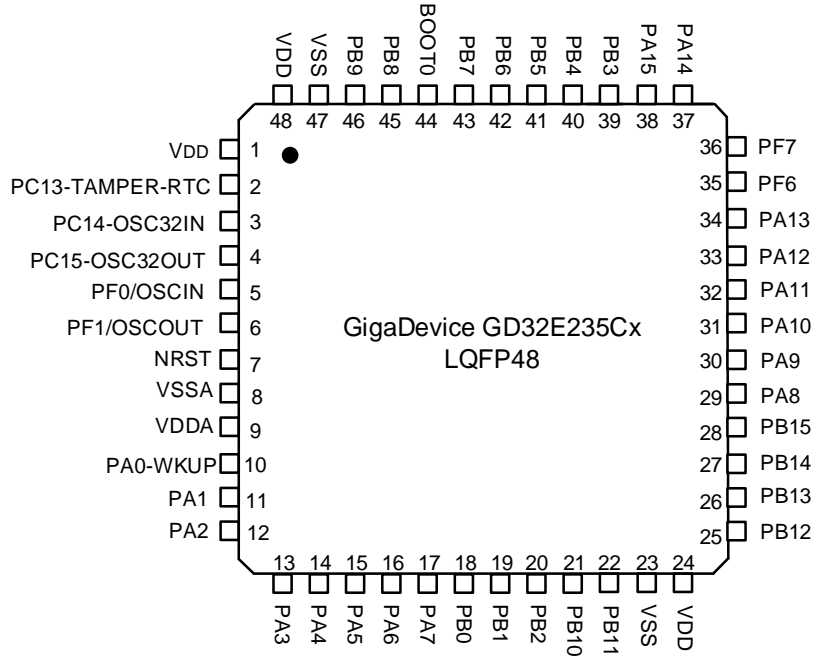


Figure 2-3. GD32E235Cx QFN48 pinouts

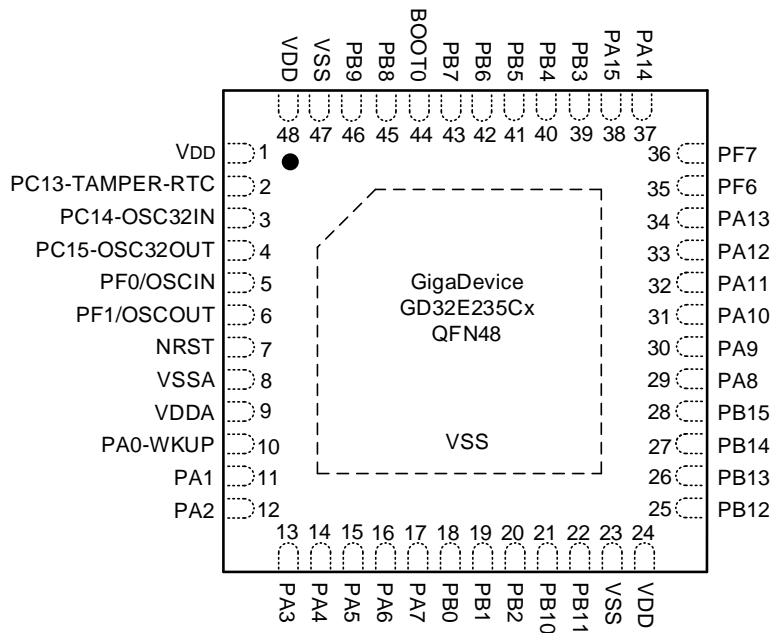


Figure 2-4. GD32E235Kx LQFP32 pinouts

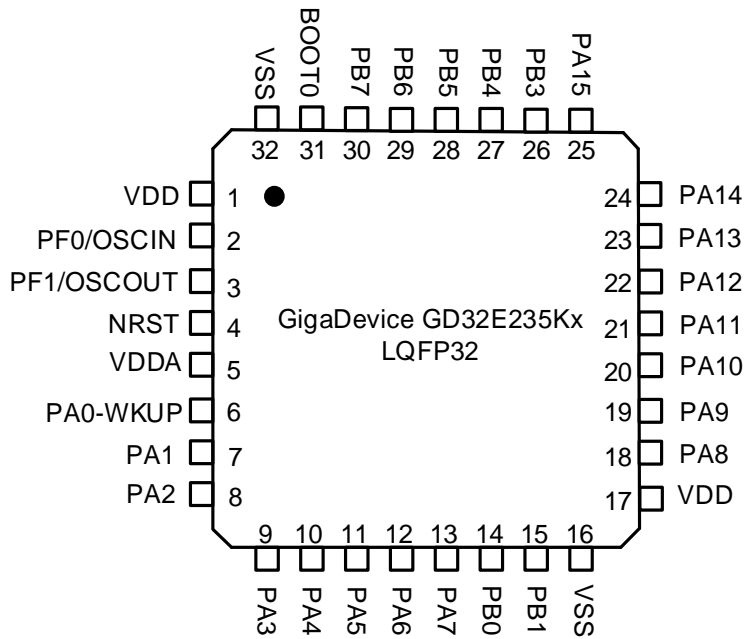


Figure 2-5. GD32E235Kx QFN32 pinouts

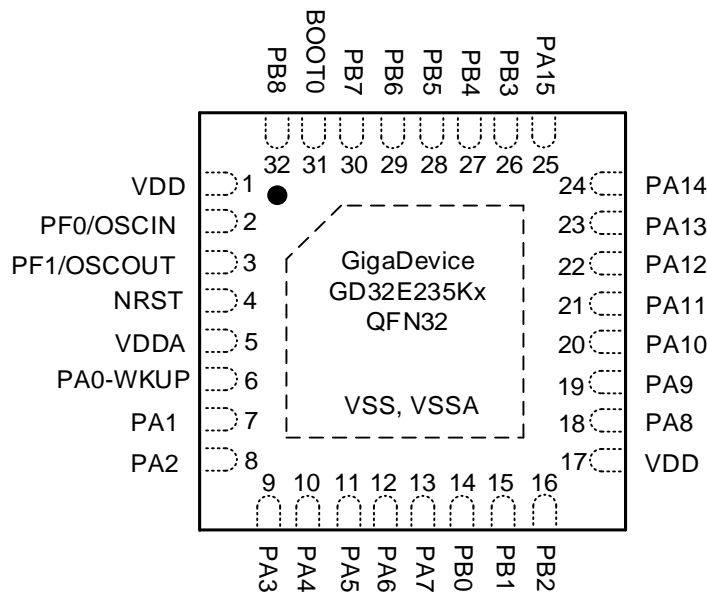


Figure 2-6. GD32E235Gx QFN28 pinouts

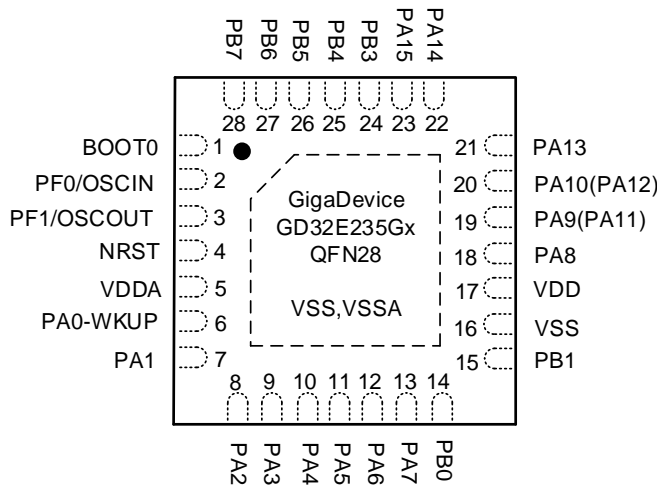


Figure 2-7. GD32E235Ex TSSOP24 pinouts

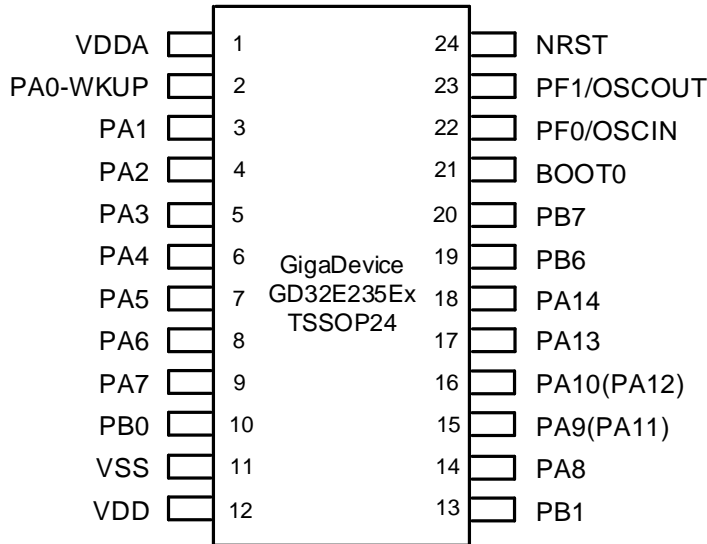


Figure 2-8. GD32E235Fx TSSOP20 pinouts

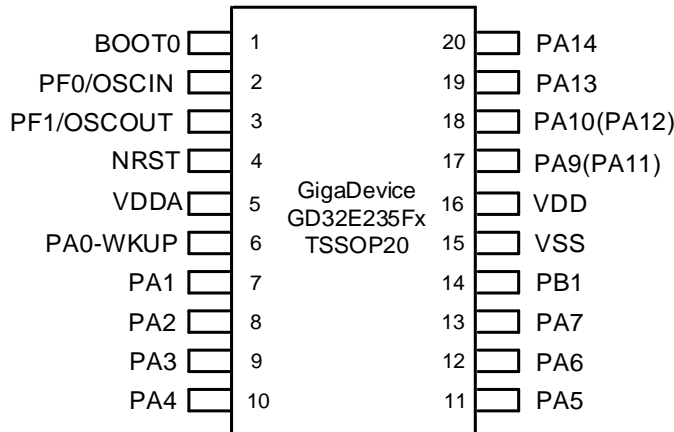
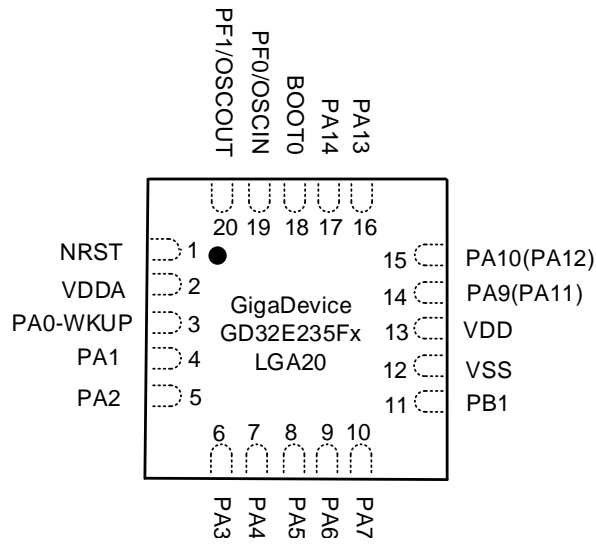


Figure 2-9. GD32E235Fx LGA20 pinouts



2.4 Memory map

Table 2-4. GD32E235xx memory map

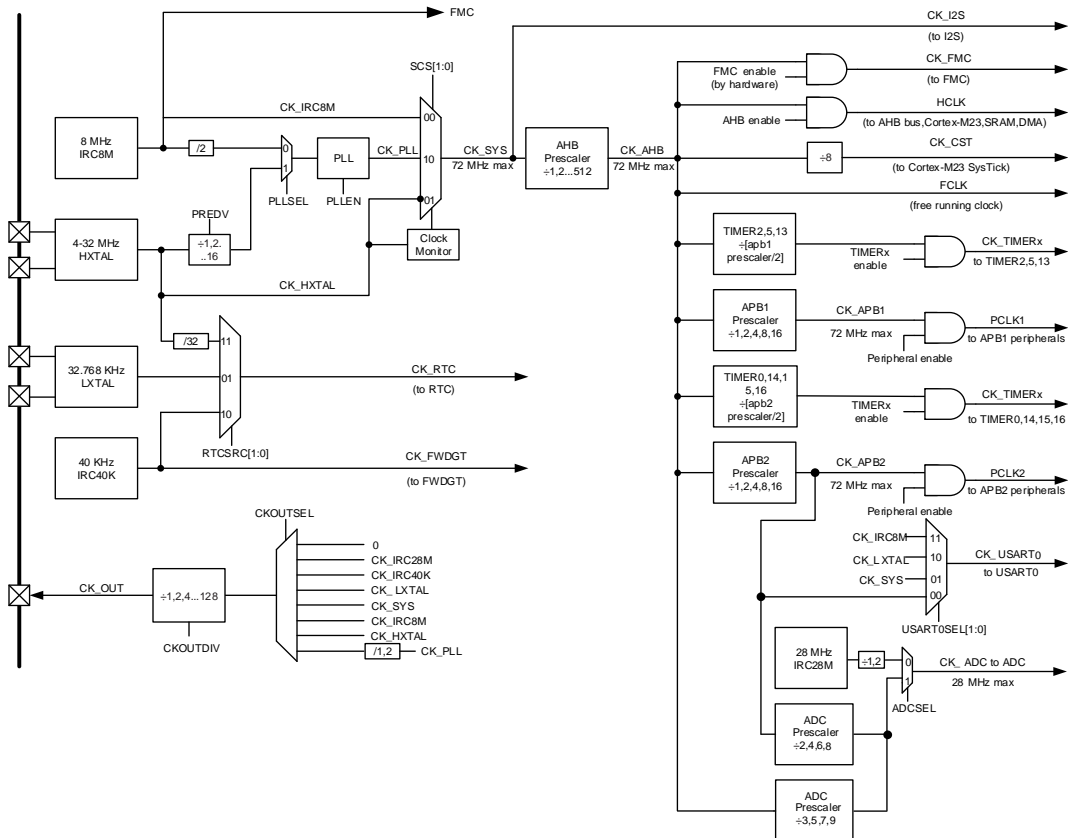
| Pre-defined Regions | Bus | ADDRESS | Peripherals |
|---------------------------|---------------------------|---------------------------|---------------------------------|
| | | 0xE000 0000 - 0xE00F FFFF | Cortex M23 internal peripherals |
| External Device | | 0xA000 0000 - 0xDFFF FFFF | Reserved |
| External RAM | | 0x60000000 - 0x9FFFFFFF | Reserved |
| Peripherals | AHB1 | 0x5004 0000 - 0x5FFF FFFF | Reserved |
| | | 0x5000 0000 - 0x5003 FFFF | Reserved |
| | AHB2 | 0x4800 1800 - 0x4FFF FFFF | Reserved |
| | | 0x4800 1400 - 0x4800 17FF | GPIOF |
| | | 0x4800 1000 - 0x4800 13FF | Reserved |
| | | 0x4800 0C00 - 0x4800 0FFF | Reserved |
| | | 0x4800 0800 - 0x4800 0BFF | GPIOC |
| | | 0x4800 0400 - 0x4800 07FF | GPIOB |
| | | 0x4800 0000 - 0x4800 03FF | GPIOA |
| | | AHB1 | 0x4002 4400 - 0x47FF FFFF |
| | 0x4002 4000 - 0x4002 43FF | | Reserved |
| | 0x4002 3400 - 0x4002 3FFF | | Reserved |
| | 0x4002 3000 - 0x4002 33FF | | CRC |
| | 0x4002 2400 - 0x4002 2FFF | | Reserved |
| | 0x4002 2000 - 0x4002 23FF | | FMC |
| | 0x4002 1400 - 0x4002 1FFF | | Reserved |
| | 0x4002 1000 - 0x4002 13FF | | RCU |
| | 0x4002 0400 - 0x4002 0FFF | | Reserved |
| | 0x4002 0000 - 0x4002 03FF | | DMA |
| | APB2 | 0x4001 8000 - 0x4001 FFFF | Reserved |
| | | 0x4001 5C00 - 0x4001 7FFF | Reserved |
| | | 0x4001 5800 - 0x4001 5BFF | DBG |
| | | 0x4001 4C00 - 0x4001 57FF | Reserved |
| | | 0x4001 4800 - 0x4001 4BFF | TIMER16 |
| | | 0x4001 4400 - 0x4001 47FF | TIMER15 |
| | | 0x4001 4000 - 0x4001 43FF | TIMER14 |
| | | 0x4001 3C00 - 0x4001 3FFF | Reserved |
| | | 0x4001 3800 - 0x4001 3BFF | USART0 |
| | | 0x4001 3400 - 0x4001 37FF | Reserved |
| | | 0x4001 3000 - 0x4001 33FF | SPI0/I2S0 |
| | | 0x4001 2C00 - 0x4001 2FFF | TIMER0 |
| | | 0x4001 2800 - 0x4001 2BFF | Reserved |
| 0x4001 2400 - 0x4001 27FF | | ADC | |
| 0x4001 0800 - 0x4001 23FF | Reserved | | |

| Pre-defined Regions | Bus | ADDRESS | Peripherals |
|---------------------------|------|---------------------------|---------------------------|
| | | 0x4001 0400 - 0x4001 07FF | EXTI |
| | | 0x4001 0000 - 0x4001 03FF | SYSCFG + CMP |
| | APB1 | 0x4000 CC00 - 0x4000 FFFF | Reserved |
| | | 0x4000 C800 - 0x4000 CBFF | Reserved |
| | | 0x4000 C400 - 0x4000 C7FF | Reserved |
| | | 0x4000 C000 - 0x4000 C3FF | Reserved |
| | | 0x4000 8000 - 0x4000 BFFF | Reserved |
| | | 0x4000 7C00 - 0x4000 7FFF | Reserved |
| | | 0x4000 7800 - 0x4000 7BFF | Reserved |
| | | 0x4000 7400 - 0x4000 77FF | Reserved |
| | | 0x4000 7000 - 0x4000 73FF | PMU |
| | | 0x4000 6400 - 0x4000 6FFF | Reserved |
| | | 0x4000 6000 - 0x4000 63FF | Reserved |
| | | 0x4000 5C00 - 0x4000 5FFF | Reserved |
| | | 0x4000 5800 - 0x4000 5BFF | I2C1 |
| | | 0x4000 5400 - 0x4000 57FF | I2C0 |
| | | 0x4000 4800 - 0x4000 53FF | Reserved |
| | | 0x4000 4400 - 0x4000 47FF | USART1 |
| | | 0x4000 4000 - 0x4000 43FF | Reserved |
| | | 0x4000 3C00 - 0x4000 3FFF | Reserved |
| | | 0x4000 3800 - 0x4000 3BFF | SPI1 |
| | | 0x4000 3400 - 0x4000 37FF | Reserved |
| | | 0x4000 3000 - 0x4000 33FF | FWDGT |
| | | 0x4000 2C00 - 0x4000 2FFF | WWDGT |
| | | 0x4000 2800 - 0x4000 2BFF | RTC |
| | | 0x4000 2400 - 0x4000 27FF | Reserved |
| | | 0x4000 2000 - 0x4000 23FF | TIMER13 |
| | | 0x4000 1400 - 0x4000 1FFF | Reserved |
| | | 0x4000 1000 - 0x4000 13FF | TIMER5 |
| | | 0x4000 0800 - 0x4000 0FFF | Reserved |
| | | 0x4000 0400 - 0x4000 07FF | TIMER2 |
| | | 0x4000 0000 - 0x4000 03FF | Reserved |
| | SRAM | | 0x2000 4000 - 0x3FFF FFFF |
| 0x2000 0000 - 0x2000 3FFF | | | SRAM |
| Code | | 0x1FFF F810 - 0x1FFF FFFF | Reserved |
| | | 0x1FFF F800 - 0x1FFF F80F | Option bytes |
| | | 0x1FFF EC00 - 0x1FFF F7FF | System memory |
| | | 0x0802 0000 - 0x1FFF EBFF | Reserved |
| | | 0x0800 0000 - 0x0801 FFFF | Main Flash memory |
| | | 0x0002 0000 - 0x07FF FFFF | Reserved |

| Pre-defined Regions | Bus | ADDRESS | Peripherals |
|---------------------|-----|---------------------------|-----------------------------------|
| | | 0x0000 0000 - 0x0001 FFFF | Aliased to Flash or system memory |

2.5 Clock tree

Figure 2-10. GD32E235xx clock tree



Note:

If the APB prescaler is 1, the timer clock frequencies are set to AHB frequency divide by 1. Otherwise, they are set to the AHB frequency divide by half of APB prescaler.

Legend:

- HXTAL: High speed crystal oscillator
- LXTAL: Low speed crystal oscillator
- IRC8M: Internal 8M RC oscillator
- IRC40K: Internal 40K RC oscillator
- IRC28M: Internal 28M RC oscillator

2.6 Pin definitions

2.6.1 GD32E235Cx LQFP48 pin definitions

Table 2-5. GD32E235Cx LQFP48 pin definitions

| Pin Name | Pins | Pin Type ⁽¹⁾ | I/O Level ⁽²⁾ | Functions description |
|-----------------|------|-------------------------|--------------------------|---|
| V _{DD} | 1 | P | | Default: V _{DD} |
| PC13-TAMPER-RTC | 2 | I/O | | Default: PC13 Additional: RTC_TAMP0, RTC_TS, RTC_OUT, WKUP1 |
| PC14-OSC32IN | 3 | I/O | | Default: PC14 Additional: OSC32IN |
| PC15-OSC32OUT | 4 | I/O | | Default: PC15 Additional: OSC32OUT |
| PF0/OSCIN | 5 | I/O | 5VT | Default: PF0 Alternate: I2C0_SDA Additional: OSCIN |
| PF1/OSCOU T | 6 | I/O | 5VT | Default: PF1 Alternate: I2C0_SCL Additional: OSCOUT |
| NRST | 7 | I/O | | Default: NRST |
| VSSA | 8 | P | | Default: VSSA |
| VDDA | 9 | P | | Default: VDDA |
| PA0-WKUP | 10 | I/O | | Default: PA0 Alternate: USART0_CTS ⁽³⁾ , USART1_CTS ⁽⁴⁾ , CMP_OUT, I2C1_SCL ⁽⁵⁾ Additional: ADC_IN0, CMP_IM6, RTC_TAMP1, WKUP0 |
| PA1 | 11 | I/O | | Default: PA1 Alternate: USART0_RTS/USART0_DE ⁽³⁾ , USART1_RTS/USART1_DE ⁽⁴⁾ , I2C1_SDA ⁽⁵⁾ , EVENTOUT, TIMER14_CH0_ON ⁽⁵⁾ Additional: ADC_IN1, CMP_IP |
| PA2 | 12 | I/O | | Default: PA2 Alternate: USART0_TX ⁽³⁾ , USART1_TX ⁽⁴⁾ , TIMER14_CH0 ⁽⁵⁾ Additional: ADC_IN2, CMP_IM7 |
| PA3 | 13 | I/O | | Default: PA3 Alternate: USART0_RX ⁽³⁾ , USART1_RX ⁽⁴⁾ , TIMER14_CH1 ⁽⁵⁾ Additional: ADC_IN3 |
| PA4 | 14 | I/O | | Default: PA4 Alternate: SPI0_NSS, I2S0_WS, USART0_CK ⁽³⁾ , USART1_CK ⁽⁴⁾ , TIMER13_CH0, SPI1_NSS ⁽⁵⁾ Additional: ADC_IN4, CMP_IM4 |

| Pin Name | Pins | Pin Type ⁽¹⁾ | I/O Level ⁽²⁾ | Functions description |
|----------|------|-------------------------|--------------------------|---|
| PA5 | 15 | I/O | | Default: PA5 Alternate: SPI0_SCK, I2S0_CK Additional: ADC_IN5, CMP_IM5 |
| PA6 | 16 | I/O | | Default: PA6 Alternate: SPI0_MISO, I2S0_MCK, TIMER2_CH0, TIMER0_BRKIN, TIMER15_CH0, EVENTOUT, CMP_OUT Additional: ADC_IN6 |
| PA7 | 17 | I/O | | Default: PA7 Alternate: SPI0_MOSI, I2S0_SD, TIMER2_CH1, TIMER13_CH0, TIMER0_CH0_ON, TIMER16_CH0, EVENTOUT Additional: ADC_IN7 |
| PB0 | 18 | I/O | | Default: PB0 Alternate: TIMER2_CH2, TIMER0_CH1_ON, USART1_RX ⁽⁴⁾ , EVENTOUT Additional: ADC_IN8 |
| PB1 | 19 | I/O | | Default: PB1 Alternate: TIMER2_CH3, TIMER13_CH0, TIMER0_CH2_ON, SPI1_SCK ⁽⁵⁾ Additional: ADC_IN9 |
| PB2 | 20 | I/O | 5VT | Default: PB2 Alternate: TIMER2_ETI |
| PB10 | 21 | I/O | 5VT | Default: PB10 Alternate: I2C0_SCL ⁽³⁾ , I2C1_SCL ⁽⁵⁾ , SPI1_IO2 ⁽⁵⁾ , SPI1_SCK ⁽⁵⁾ |
| PB11 | 22 | I/O | 5VT | Default: PB11 Alternate: I2C0_SDA ⁽³⁾ , I2C1_SDA ⁽⁵⁾ , EVENTOUT, SPI1_IO3 ⁽⁵⁾ |
| VSS | 23 | P | | Default: VSS |
| VDD | 24 | P | | Default: VDD |
| PB12 | 25 | I/O | 5VT | Default: PB12 Alternate: SPI0_NSS ⁽³⁾ , SPI1_NSS ⁽⁵⁾ , TIMER0_BRKIN, I2C1_SMBA ⁽⁵⁾ , EVENTOUT |
| PB13 | 26 | I/O | 5VT | Default: PB13 Alternate: SPI0_SCK ⁽³⁾ , SPI1_SCK ⁽⁵⁾ , TIMER0_CH0_ON, I2C1_TXFRAME ⁽⁵⁾ , I2C1_SCL ⁽⁵⁾ |
| PB14 | 27 | I/O | 5VT | Default: PB14 Alternate: SPI0_MISO ⁽³⁾ , SPI1_MISO ⁽⁵⁾ , TIMER0_CH1_ON, TIMER14_CH0 ⁽⁵⁾ , I2C1_SDA ⁽⁵⁾ |
| PB15 | 28 | I/O | 5VT | Default: PB15 Alternate: SPI0_MOSI ⁽³⁾ , SPI1_MOSI ⁽⁵⁾ , TIMER0_CH2_ON, TIMER14_CH0_ON ⁽⁵⁾ , TIMER14_CH1 ⁽⁵⁾ Additional: RTC_REFIN, WKUP6 |

| Pin Name | Pins | Pin Type ⁽¹⁾ | I/O Level ⁽²⁾ | Functions description |
|----------|------|-------------------------|--------------------------|---|
| PA8 | 29 | I/O | 5VT | Default: PA8 Alternate: USART0_CK, TIMER0_CH0, CK_OUT, USART1_TX ⁽⁴⁾ , EVENTOUT |
| PA9 | 30 | I/O | 5VT | Default: PA9 Alternate: USART0_TX, TIMER0_CH1, TIMER14_BRKIN ⁽⁵⁾ , I2C0_SCL, CK_OUT |
| PA10 | 31 | I/O | 5VT | Default: PA10 Alternate: USART0_RX, TIMER0_CH2, TIMER16_BRKIN, I2C0_SDA |
| PA11 | 32 | I/O | 5VT | Default: PA11 Alternate: USART0_CTS, TIMER0_CH3, CMP_OUT, EVENTOUT, SPI1_IO2 ⁽⁵⁾ , I2C0_SMBA, I2C1_SCL ⁽⁵⁾ |
| PA12 | 33 | I/O | 5VT | Default: PA12 Alternate: USART0_RTS/USART0_DE, TIMER0_ETI, EVENTOUT, SPI1_IO3 ⁽⁵⁾ , I2C0_TXFRAME, I2C1_SDA ⁽⁵⁾ |
| PA13 | 34 | I/O | 5VT | Default: PA13/SWDIO Alternate: SWDIO, IFRP_OUT, SPI1_MISO ⁽⁵⁾ |
| PF6 | 35 | I/O | 5VT | Default: PF6 Alternate: I2C0_SCL ⁽³⁾ , I2C1_SCL ⁽⁵⁾ |
| PF7 | 36 | I/O | 5VT | Default: PF7 Alternate: I2C0_SDA ⁽³⁾ , I2C1_SDA ⁽⁵⁾ |
| PA14 | 37 | I/O | 5VT | Default: PA14/SWCLK Alternate: USART0_TX ⁽³⁾ , USART1_TX ⁽⁴⁾ , SWCLK, SPI1_MOSI ⁽⁵⁾ |
| PA15 | 38 | I/O | 5VT | Default: PA15 Alternate: SPI0_NSS, I2S0_WS, USART0_RX ⁽³⁾ , USART1_RX ⁽⁴⁾ , SPI1_NSS ⁽⁵⁾ , EVENTOUT |
| PB3 | 39 | I/O | 5VT | Default: PB3 Alternate: SPI0_SCK, I2S0_CK, EVENTOUT |
| PB4 | 40 | I/O | 5VT | Default: PB4 Alternate: SPI0_MISO, I2S0_MCK, TIMER2_CH0, EVENTOUT, I2C0_TXFRAME, TIMER16_BRKIN |
| PB5 | 41 | I/O | 5VT | Default: PB5 Alternate: SPI0_MOSI, I2S0_SD, I2C0_SMBA, TIMER15_BRKIN, TIMER2_CH1 Additional: WKUP5 |
| PB6 | 42 | I/O | 5VT | Default: PB6 Alternate: I2C0_SCL, USART0_TX, TIMER15_CH0_ON |
| PB7 | 43 | I/O | 5VT | Default: PB7 Alternate: I2C0_SDA, USART0_RX, TIMER16_CH0_ON |
| BOOT0 | 44 | I | | Default: BOOT0 |
| PB8 | 45 | I/O | 5VT | Default: PB8 Alternate: I2C0_SCL, TIMER15_CH0 |
| PB9 | 46 | I/O | 5VT | Default: PB9 Alternate: I2C0_SDA, IFRP_OUT, TIMER16_CH0, |

| Pin Name | Pins | Pin Type ⁽¹⁾ | I/O Level ⁽²⁾ | Functions description |
|----------|------|-------------------------|--------------------------|---|
| | | | | EVENTOUT, I2S0_MCK, SPI1_NSS ⁽⁵⁾ |
| VSS | 47 | P | | Default: VSS |
| VDD | 48 | P | | Default: VDD |

Notes:

- (1) Type: I = input, O = output, P = power.
- (2) I/O Level: 5VT = 5 V tolerant.
- (3) Functions are available on GD32E235C4 devices only.
- (4) Functions are available on GD32E235CB/8/6 devices.
- (5) Functions are available on GD32E235CB/8 devices only.

2.6.2 GD32E235Cx QFN48 pin definitions

Table 2-6. GD32E235Cx QFN48 pin definitions

| Pin Name | Pins | Pin Type ⁽¹⁾ | I/O Level ⁽²⁾ | Functions description |
|-----------------|------|-------------------------|--------------------------|---|
| V _{DD} | 1 | P | | Default: V _{DD} |
| PC13-TAMPER-RTC | 2 | I/O | | Default: PC13 Additional: RTC_TAMP0, RTC_TS, RTC_OUT, WKUP1 |
| PC14-OSC32IN | 3 | I/O | | Default: PC14 Additional: OSC32IN |
| PC15-OSC32OUT | 4 | I/O | | Default: PC15 Additional: OSC32OUT |
| PF0/OSCIN | 5 | I/O | 5VT | Default: PF0 Alternate: I2C0_SDA Additional: OSCIN |
| PF1/OSCOU T | 6 | I/O | 5VT | Default: PF1 Alternate: I2C0_SCL Additional: OSCOUT |
| NRST | 7 | I/O | | Default: NRST |
| VSSA | 8 | P | | Default: VSSA |
| VDDA | 9 | P | | Default: VDDA |
| PA0-WKUP | 10 | I/O | | Default: PA0 Alternate: USART1_CTS, CMP_OUT, I2C1_SCL Additional: ADC_IN0, CMP_IM6, RTC_TAMP1, WKUP0 |
| PA1 | 11 | I/O | | Default: PA1 Alternate: USART1_RTS/USART1_DE, I2C1_SDA, EVENTOUT, TIMER14_CH0_ON Additional: ADC_IN1, CMP_IP |
| PA2 | 12 | I/O | | Default: PA2 Alternate: USART1_TX, TIMER14_CH0 Additional: ADC_IN2, CMP_IM7 |

| Pin Name | Pins | Pin Type ⁽¹⁾ | I/O Level ⁽²⁾ | Functions description |
|----------|------|-------------------------|--------------------------|---|
| PA3 | 13 | I/O | | Default: PA3 Alternate: USART1_RX, TIMER14_CH1 Additional: ADC_IN3 |
| PA4 | 14 | I/O | | Default: PA4 Alternate: SPI0_NSS, I2S0_WS, USART1_CK, TIMER13_CH0, SPI1_NSS Additional: ADC_IN4, CMP_IM4 |
| PA5 | 15 | I/O | | Default: PA5 Alternate: SPI0_SCK, I2S0_CK Additional: ADC_IN5, CMP_IM5 |
| PA6 | 16 | I/O | | Default: PA6 Alternate: SPI0_MISO, I2S0_MCK, TIMER2_CH0, TIMER0_BRKIN, TIMER15_CH0, EVENTOUT, CMP_OUT Additional: ADC_IN6 |
| PA7 | 17 | I/O | | Default: PA7 Alternate: SPI0_MOSI, I2S0_SD, TIMER2_CH1, TIMER13_CH0, TIMER0_CH0_ON, TIMER16_CH0, EVENTOUT Additional: ADC_IN7 |
| PB0 | 18 | I/O | | Default: PB0 Alternate: TIMER2_CH2, TIMER0_CH1_ON, USART1_RX, EVENTOUT Additional: ADC_IN8 |
| PB1 | 19 | I/O | | Default: PB1 Alternate: TIMER2_CH3, TIMER13_CH0, TIMER0_CH2_ON, SPI1_SCK Additional: ADC_IN9 |
| PB2 | 20 | I/O | 5VT | Default: PB2 Alternate: TIMER2_ETI |
| PB10 | 21 | I/O | 5VT | Default: PB10 Alternate: I2C1_SCL, SPI1_IO2, SPI1_SCK |
| PB11 | 22 | I/O | 5VT | Default: PB11 Alternate: I2C1_SDA, EVENTOUT, SPI1_IO3 |
| VSS | 23 | P | | Default: VSS |
| VDD | 24 | P | | Default: VDD |
| PB12 | 25 | I/O | 5VT | Default: PB12 Alternate: SPI1_NSS, TIMER0_BRKIN, I2C1_SMBA, EVENTOUT |
| PB13 | 26 | I/O | 5VT | Default: PB13 Alternate: SPI1_SCK, TIMER0_CH0_ON, I2C1_TXFRAME, I2C1_SCL |
| PB14 | 27 | I/O | 5VT | Default: PB14 Alternate: SPI1_MISO, TIMER0_CH1_ON, TIMER14_CH0, I2C1_SDA |

| Pin Name | Pins | Pin Type ⁽¹⁾ | I/O Level ⁽²⁾ | Functions description |
|----------|------|-------------------------|--------------------------|---|
| PB15 | 28 | I/O | 5VT | Default: PB15 Alternate: SPI1_MOSI, TIMER0_CH2_ON, TIMER14_CH0_ON, TIMER14_CH1 Additional: RTC_REFIN, WKUP6 |
| PA8 | 29 | I/O | 5VT | Default: PA8 Alternate: USART0_CK, TIMER0_CH0, CK_OUT, USART1_TX, EVENTOUT |
| PA9 | 30 | I/O | 5VT | Default: PA9 Alternate: USART0_TX, TIMER0_CH1, TIMER14_BRKIN, I2C0_SCL, CK_OUT |
| PA10 | 31 | I/O | 5VT | Default: PA10 Alternate: USART0_RX, TIMER0_CH2, TIMER16_BRKIN, I2C0_SDA |
| PA11 | 32 | I/O | 5VT | Default: PA11 Alternate: USART0_CTS, TIMER0_CH3, CMP_OUT, EVENTOUT, SPI1_IO2, I2C0_SMBA, I2C1_SCL |
| PA12 | 33 | I/O | 5VT | Default: PA12 Alternate: USART0_RTS/USART0_DE, TIMER0_ETI, EVENTOUT, SPI1_IO3, I2C0_TXFRAME, I2C1_SDA |
| PA13 | 34 | I/O | 5VT | Default: PA13/SWDIO Alternate: SWDIO, IFRP_OUT, SPI1_MISO |
| PF6 | 35 | I/O | 5VT | Default: PF6 Alternate: I2C1_SCL |
| PF7 | 36 | I/O | 5VT | Default: PF7 Alternate: I2C1_SDA |
| PA14 | 37 | I/O | 5VT | Default: PA14/SWCLK Alternate: USART1_TX, SWCLK, SPI1_MOSI |
| PA15 | 38 | I/O | 5VT | Default: PA15 Alternate: SPI0_NSS, I2S0_WS, USART1_RX, SPI1_NSS, EVENTOUT |
| PB3 | 39 | I/O | 5VT | Default: PB3 Alternate: SPI0_SCK, I2S0_CK, EVENTOUT |
| PB4 | 40 | I/O | 5VT | Default: PB4 Alternate: SPI0_MISO, I2S0_MCK, TIMER2_CH0, EVENTOUT, I2C0_TXFRAME, TIMER16_BRKIN |
| PB5 | 41 | I/O | 5VT | Default: PB5 Alternate: SPI0_MOSI, I2S0_SD, I2C0_SMBA, TIMER15_BRKIN, TIMER2_CH1 Additional: WKUP5 |
| PB6 | 42 | I/O | 5VT | Default: PB6 Alternate: I2C0_SCL, USART0_TX, TIMER15_CH0_ON |
| PB7 | 43 | I/O | 5VT | Default: PB7 Alternate: I2C0_SDA, USART0_RX, TIMER16_CH0_ON |
| BOOT0 | 44 | I | | Default: BOOT0 |
| PB8 | 45 | I/O | 5VT | Default: PB8 |

| Pin Name | Pins | Pin Type ⁽¹⁾ | I/O Level ⁽²⁾ | Functions description |
|----------|------|-------------------------|--------------------------|--|
| | | | | Alternate: I2C0_SCL, TIMER15_CH0 |
| PB9 | 46 | I/O | 5VT | Default: PB9 Alternate: I2C0_SDA, IFRP_OUT, TIMER16_CH0, EVENTOUT, I2S0_MCK, SPI1_NSS |
| VSS | 47 | P | | Default: VSS |
| VDD | 48 | P | | Default: VDD |

Notes:

(1) Type: I = input, O = output, P = power.

(2) I/O Level: 5VT = 5 V tolerant.

2.6.3 GD32E235Kx LQFP32 pin definitions

Table 2-7. GD32E235Kx LQFP32 pin definitions

| Pin Name | Pins | Pin Type ⁽¹⁾ | I/O Level ⁽²⁾ | Functions description |
|----------------|------|-------------------------|--------------------------|---|
| VDD | 1 | P | | Default: VDD |
| PF0/OSCIN | 2 | I/O | 5VT | Default: PF0 Alternate: I2C0_SDA Additional: OSCIN |
| PF1/OSCOU T | 3 | I/O | 5VT | Default: PF1 Alternate: I2C0_SCL Additional: OSCOUT |
| NRST | 4 | I/O | | Default: NRST |
| VDDA | 5 | P | | Default: VDDA |
| PA0-WKUP | 6 | I/O | | Default: PA0 Alternate: USART0_CTS ⁽³⁾ , USART1_CTS ⁽⁴⁾ , CMP_OUT, I2C1_SCL ⁽⁵⁾ Additional: ADC_IN0, CMP_IM6, RTC_TAMP1, WKUP0 |
| PA1 | 7 | I/O | | Default: PA1 Alternate: USART0_RTS/USART0_DE ⁽³⁾ , USART1_RTS/USART1_DE ⁽⁴⁾ , I2C1_SDA ⁽⁵⁾ , EVENTOUT, TIMER14_CH0_ON ⁽⁵⁾ Additional: ADC_IN1, CMP_IP |
| PA2 | 8 | I/O | | Default: PA2 Alternate: USART0_TX ⁽³⁾ , USART1_TX ⁽⁴⁾ , TIMER14_CH0 ⁽⁵⁾ Additional: ADC_IN2, CMP_IM7 |
| PA3 | 9 | I/O | | Default: PA3 Alternate: USART0_RX ⁽³⁾ , USART1_RX ⁽⁴⁾ , TIMER14_CH1 ⁽⁵⁾ Additional: ADC_IN3 |
| PA4 | 10 | I/O | | Default: PA4 Alternate: SPI0_NSS, I2S0_WS, USART0_CK ⁽³⁾ , USART1_CK ⁽⁴⁾ , TIMER13_CH0, SPI1_NSS ⁽⁵⁾ |

| Pin Name | Pins | Pin Type ⁽¹⁾ | I/O Level ⁽²⁾ | Functions description |
|----------|------|-------------------------|--------------------------|---|
| | | | | Additional: ADC_IN4, CMP_IM4 |
| PA5 | 11 | I/O | | Default: PA5 Alternate: SPI0_SCK, I2S0_CK Additional: ADC_IN5, CMP_IM5 |
| PA6 | 12 | I/O | | Default: PA6 Alternate: SPI0_MISO, I2S0_MCK, TIMER2_CH0, TIMER0_BRKIN, TIMER15_CH0, EVENTOUT, CMP_OUT Additional: ADC_IN6 |
| PA7 | 13 | I/O | | Default: PA7 Alternate: SPI0_MOSI, I2S0_SD, TIMER2_CH1, TIMER13_CH0, TIMER0_CH0_ON, TIMER16_CH0, EVENTOUT Additional: ADC_IN7 |
| PB0 | 14 | I/O | | Default: PB0 Alternate: TIMER2_CH2, TIMER0_CH1_ON, USART1_RX ⁽⁴⁾ , EVENTOUT Additional: ADC_IN8 |
| PB1 | 15 | I/O | | Default: PB1 Alternate: TIMER2_CH3, TIMER13_CH0, TIMER0_CH2_ON, SPI1_SCK ⁽⁵⁾ Additional: ADC_IN9 |
| VSS | 16 | P | | Default: VSS |
| VDD | 17 | P | | Default: VDD |
| PA8 | 18 | I/O | 5VT | Default: PA8 Alternate: USART0_CK, TIMER0_CH0, CK_OUT, USART1_TX ⁽⁴⁾ , EVENTOUT |
| PA9 | 19 | I/O | 5VT | Default: PA9 Alternate: USART0_TX, TIMER0_CH1, TIMER14_BRKIN ⁽⁵⁾ , I2C0_SCL, CK_OUT |
| PA10 | 20 | I/O | 5VT | Default: PA10 Alternate: USART0_RX, TIMER0_CH2, TIMER16_BRKIN, I2C0_SDA |
| PA11 | 21 | I/O | 5VT | Default: PA11 Alternate: USART0_CTS, TIMER0_CH3, CMP_OUT, EVENTOUT, SPI1_IO2 ⁽⁵⁾ , I2C0_SMBA, I2C1_SCL ⁽⁵⁾ |
| PA12 | 22 | I/O | 5VT | Default: PA12 Alternate: USART0_RTS/USART0_DE, TIMER0_ETI, EVENTOUT, SPI1_IO3 ⁽⁵⁾ , I2C0_TXFRAME, I2C1_SDA ⁽⁵⁾ |
| PA13 | 23 | I/O | 5VT | Default: PA13/SWDIO Alternate: SWDIO, IFRP_OUT, SPI1_MISO ⁽⁵⁾ |
| PA14 | 24 | I/O | 5VT | Default: PA14/SWCLK Alternate: USART0_TX ⁽³⁾ , USART1_TX ⁽⁴⁾ , SWCLK, SPI1_MOSI ⁽⁵⁾ |
| PA15 | 25 | I/O | 5VT | Default: PA15 Alternate: SPI0_NSS, I2S0_WS, USART0_RX ⁽³⁾ , |

| Pin Name | Pins | Pin Type ⁽¹⁾ | I/O Level ⁽²⁾ | Functions description |
|----------|------|-------------------------|--------------------------|--|
| | | | | USART1_RX ⁽⁴⁾ , SPI1_NSS ⁽⁵⁾ , EVENTOUT |
| PB3 | 26 | I/O | 5VT | Default: PB3 Alternate: SPI0_SCK, I2S0_CK, EVENTOUT |
| PB4 | 27 | I/O | 5VT | Default: PB4 Alternate: SPI0_MISO, I2S0_MCK, TIMER2_CH0, EVENTOUT, I2C0_TXFRAME, TIMER16_BRKIN |
| PB5 | 28 | I/O | 5VT | Default: PB5 Alternate: SPI0_MOSI, I2S0_SD, I2C0_SMBA, TIMER15_BRKIN, TIMER2_CH1 Additional: WKUP5 |
| PB6 | 29 | I/O | 5VT | Default: PB6 Alternate: I2C0_SCL, USART0_TX, TIMER15_CH0_ON |
| PB7 | 30 | I/O | 5VT | Default: PB7 Alternate: I2C0_SDA, USART0_RX, TIMER16_CH0_ON |
| BOOT0 | 31 | I | | Default: BOOT0 |
| VSS | 32 | P | | Default: VSS |

Notes:

- (1) Type: I = input, O = output, P = power.
- (2) I/O Level: 5VT = 5 V tolerant.
- (3) Functions are available on GD32E235K4 devices only.
- (4) Functions are available on GD32E235KB/8/6 devices.
- (5) Functions are available on GD32E235KB/8 devices only.

2.6.4 GD32E235Kx QFN32 pin definitions

Table 2-8. GD32E235Kx QFN32 pin definitions

| Pin Name | Pins | Pin Type ⁽¹⁾ | I/O Level ⁽²⁾ | Functions description |
|----------------|------|-------------------------|--------------------------|---|
| VDD | 1 | P | | Default: VDD |
| PF0/OSCIN | 2 | I/O | 5VT | Default: PF0 Alternate: I2C0_SDA Additional: OSCIN |
| PF1/OSCOU T | 3 | I/O | 5VT | Default: PF1 Alternate: I2C0_SCL Additional: OSCOUT |
| NRST | 4 | I/O | | Default: NRST |
| VDDA | 5 | P | | Default: VDDA |
| PA0-WKUP | 6 | I/O | | Default: PA0 Alternate: USART0_CTS ⁽³⁾ , USART1_CTS ⁽⁴⁾ , CMP_OUT, I2C1_SCL ⁽⁵⁾ Additional: ADC_IN0, CMP_IM6, RTC_TAMP1, WKUP0 |
| PA1 | 7 | I/O | | Default: PA1 Alternate: USART0_RTS/USART0_DE ⁽³⁾ , USART1_RTS/USART1_DE ⁽⁴⁾ , I2C1_SDA ⁽⁵⁾ , |

| Pin Name | Pins | Pin Type ⁽¹⁾ | I/O Level ⁽²⁾ | Functions description |
|----------|------|-------------------------|--------------------------|---|
| | | | | EVENTOUT, TIMER14_CH0_ON ⁽⁵⁾ Additional: ADC_IN1, CMP_IP |
| PA2 | 8 | I/O | | Default: PA2 Alternate: USART0_TX ⁽³⁾ , USART1_TX ⁽⁴⁾ , TIMER14_CH0 ⁽⁵⁾ Additional: ADC_IN2, CMP_IM7 |
| PA3 | 9 | I/O | | Default: PA3 Alternate: USART0_RX ⁽³⁾ , USART1_RX ⁽⁴⁾ , TIMER14_CH1 ⁽⁵⁾ Additional: ADC_IN3 |
| PA4 | 10 | I/O | | Default: PA4 Alternate: SPI0_NSS, I2S0_WS, USART0_CK ⁽³⁾ , USART1_CK ⁽⁴⁾ , TIMER13_CH0, SPI1_NSS ⁽⁵⁾ Additional: ADC_IN4, CMP_IM4 |
| PA5 | 11 | I/O | | Default: PA5 Alternate: SPI0_SCK, I2S0_CK Additional: ADC_IN5, CMP_IM5 |
| PA6 | 12 | I/O | | Default: PA6 Alternate: SPI0_MISO, I2S0_MCK, TIMER2_CH0, TIMER0_BRKIN, TIMER15_CH0, EVENTOUT, CMP_OUT Additional: ADC_IN6 |
| PA7 | 13 | I/O | | Default: PA7 Alternate: SPI0_MOSI, I2S0_SD, TIMER2_CH1, TIMER13_CH0, TIMER0_CH0_ON, TIMER16_CH0, EVENTOUT Additional: ADC_IN7 |
| PB0 | 14 | I/O | | Default: PB0 Alternate: TIMER2_CH2, TIMER0_CH1_ON, USART1_RX ⁽⁴⁾ , EVENTOUT Additional: ADC_IN8 |
| PB1 | 15 | I/O | | Default: PB1 Alternate: TIMER2_CH3, TIMER13_CH0, TIMER0_CH2_ON, SPI1_SCK ⁽⁵⁾ Additional: ADC_IN9 |
| PB2 | 16 | I/O | 5VT | Default: PB2 Alternate: TIMER2_ETI |
| VDD | 17 | P | | Default: VDD |
| PA8 | 18 | I/O | 5VT | Default: PA8 Alternate: USART0_CK, TIMER0_CH0, CK_OUT, USART1_TX ⁽⁴⁾ , EVENTOUT |
| PA9 | 19 | I/O | 5VT | Default: PA9 Alternate: USART0_TX, TIMER0_CH1, TIMER14_BRKIN ⁽⁵⁾ , I2C0_SCL, CK_OUT |
| PA10 | 20 | I/O | 5VT | Default: PA10 Alternate: USART0_RX, TIMER0_CH2, |

| Pin Name | Pins | Pin Type ⁽¹⁾ | I/O Level ⁽²⁾ | Functions description |
|----------|------|-------------------------|--------------------------|---|
| | | | | TIMER16_BRKIN, I2C0_SDA |
| PA11 | 21 | I/O | 5VT | Default: PA11 Alternate: USART0_CTS, TIMER0_CH3, CMP_OUT, EVENTOUT, SPI1_IO2 ⁽⁵⁾ , I2C0_SMBA, I2C1_SCL ⁽⁵⁾ |
| PA12 | 22 | I/O | 5VT | Default: PA12 Alternate: USART0_RTS/USART0_DE, TIMER0_ETI, EVENTOUT, SPI1_IO3 ⁽⁵⁾ , I2C0_TXFRAME, I2C1_SDA ⁽⁵⁾ |
| PA13 | 23 | I/O | 5VT | Default: PA13/SWDIO Alternate: SWDIO, IFRP_OUT, SPI1_MISO ⁽⁵⁾ |
| PA14 | 24 | I/O | 5VT | Default: PA14/SWCLK Alternate: USART0_TX ⁽³⁾ , USART1_TX ⁽⁴⁾ , SWCLK, SPI1_MOSI ⁽⁵⁾ |
| PA15 | 25 | I/O | 5VT | Default: PA15 Alternate: SPI0_NSS, I2S0_WS, USART0_RX ⁽³⁾ , USART1_RX ⁽⁴⁾ , SPI1_NSS ⁽⁵⁾ , EVENTOUT |
| PB3 | 26 | I/O | 5VT | Default: PB3 Alternate: SPI0_SCK, I2S0_CK, EVENTOUT |
| PB4 | 27 | I/O | 5VT | Default: PB4 Alternate: SPI0_MISO, I2S0_MCK, TIMER2_CH0, EVENTOUT, I2C0_TXFRAME, TIMER16_BRKIN |
| PB5 | 28 | I/O | 5VT | Default: PB5 Alternate: SPI0_MOSI, I2S0_SD, I2C0_SMBA, TIMER15_BRKIN, TIMER2_CH1 Additional: WKUP5 |
| PB6 | 29 | I/O | 5VT | Default: PB6 Alternate: I2C0_SCL, USART0_TX, TIMER15_CH0_ON |
| PB7 | 30 | I/O | 5VT | Default: PB7 Alternate: I2C0_SDA, USART0_RX, TIMER16_CH0_ON |
| BOOT0 | 31 | I | | Default: BOOT0 |
| PB8 | 32 | I/O | 5VT | Default: PB8 Alternate: I2C0_SCL, TIMER15_CH0 |

Notes:

- (1) Type: I = input, O = output, P = power.
- (2) I/O Level: 5VT = 5 V tolerant.
- (3) Functions are available on GD32E235K4 devices only.
- (4) Functions are available on GD32E235KB/8/6 devices.
- (5) Functions are available on GD32E235KB/8 devices only.

2.6.5 GD32E235Gx QFN28 pin definitions

Table 2-9. GD32E235Gx QFN28 pin definitions

| Pin Name | Pins | Pin Type ⁽¹⁾ | I/O Level ⁽²⁾ | Functions description |
|----------|------|-------------------------|--------------------------|-----------------------|
| BOOT0 | 1 | I | | Default: BOOT0 |

| Pin Name | Pins | Pin Type ⁽¹⁾ | I/O Level ⁽²⁾ | Functions description |
|----------------|------|-------------------------|--------------------------|---|
| PF0/OSCIN | 2 | I/O | 5VT | Default: PF0 Alternate: I2C0_SDA Additional: OSCIN |
| PF1/OSCOU T | 3 | I/O | 5VT | Default: PF1 Alternate: I2C0_SCL Additional: OSCOUT |
| NRST | 4 | I/O | | Default: NRST |
| VDDA | 5 | P | | Default: VDDA |
| PA0-WKUP | 6 | I/O | | Default: PA0 Alternate: USART0_CTS ⁽³⁾ , USART1_CTS ⁽⁴⁾ , CMP_OUT, I2C1_SCL ⁽⁵⁾ Additional: ADC_IN0, CMP_IM6, RTC_TAMP1, WKUP0 |
| PA1 | 7 | I/O | | Default: PA1 Alternate: USART0_RTS/USART0_DE ⁽³⁾ , USART1_RTS/USART1_DE ⁽⁴⁾ , I2C1_SDA ⁽⁵⁾ , EVENTOUT, TIMER14_CH0_ON ⁽⁵⁾ Additional: ADC_IN1, CMP_IP |
| PA2 | 8 | I/O | | Default: PA2 Alternate: USART0_TX ⁽³⁾ , USART1_TX ⁽⁴⁾ , TIMER14_CH0 ⁽⁵⁾ Additional: ADC_IN2, CMP_IM7 |
| PA3 | 9 | I/O | | Default: PA3 Alternate: USART0_RX ⁽³⁾ , USART1_RX ⁽⁴⁾ , TIMER14_CH1 ⁽⁵⁾ Additional: ADC_IN3 |
| PA4 | 10 | I/O | | Default: PA4 Alternate: SPI0_NSS, I2S0_WS, USART0_CK ⁽³⁾ , USART1_CK ⁽⁴⁾ , TIMER13_CH0, SPI1_NSS ⁽⁵⁾ Additional: ADC_IN4, CMP_IM4 |
| PA5 | 11 | I/O | | Default: PA5 Alternate: SPI0_SCK, I2S0_CK Additional: ADC_IN5, CMP_IM5 |
| PA6 | 12 | I/O | | Default: PA6 Alternate: SPI0_MISO, I2S0_MCK, TIMER2_CH0, TIMER0_BRKIN, TIMER15_CH0, EVENTOUT, CMP_OUT Additional: ADC_IN6 |
| PA7 | 13 | I/O | | Default: PA7 Alternate: SPI0_MOSI, I2S0_SD, TIMER2_CH1, TIMER13_CH0, TIMER0_CH0_ON, TIMER16_CH0, EVENTOUT Additional: ADC_IN7 |
| PB0 | 14 | I/O | | Default: PB0 Alternate: TIMER2_CH2, TIMER0_CH1_ON, USART1_RX ⁽⁴⁾ , EVENTOUT Additional: ADC_IN8 |

| Pin Name | Pins | Pin Type ⁽¹⁾ | I/O Level ⁽²⁾ | Functions description |
|---------------------|------|-------------------------|--------------------------|--|
| PB1 | 15 | I/O | | Default: PB1 Alternate: TIMER2_CH3, TIMER13_CH0, TIMER0_CH2_ON, SPI1_SCK ⁽⁵⁾ Additional: ADC_IN9 |
| VSS | 16 | P | | Default: VSS |
| VDD | 17 | P | | Default: VDD |
| PA8 | 18 | I/O | 5VT | Default: PA8 Alternate: USART0_CK, TIMER0_CH0, CK_OUT, USART1_TX ⁽⁴⁾ , EVENTOUT |
| PA9 ⁽⁶⁾ | 19 | I/O | 5VT | Default: PA9 Alternate: USART0_TX, TIMER0_CH1, TIMER14_BRKIN ⁽⁵⁾ , I2C0_SCL, CK_OUT |
| PA10 ⁽⁶⁾ | 20 | I/O | 5VT | Default: PA10 Alternate: USART0_RX, TIMER0_CH2, TIMER16_BRKIN, I2C0_SDA |
| PA13 | 21 | I/O | 5VT | Default: PA13/SWDIO Alternate: SWDIO, IFRP_OUT, SPI1_MISO ⁽⁵⁾ |
| PA14 | 22 | I/O | 5VT | Default: PA14/SWCLK Alternate: USART0_TX ⁽³⁾ , USART1_TX ⁽⁴⁾ , SWCLK, SPI1_MOSI ⁽⁵⁾ |
| PA15 | 23 | I/O | 5VT | Default: PA15 Alternate: SPI0_NSS, I2S0_WS, USART0_RX ⁽³⁾ , USART1_RX ⁽⁴⁾ , SPI1_NSS ⁽⁵⁾ , EVENTOUT |
| PB3 | 24 | I/O | 5VT | Default: PB3 Alternate: SPI0_SCK, I2S0_CK, EVENTOUT |
| PB4 | 25 | I/O | 5VT | Default: PB4 Alternate: SPI0_MISO, I2S0_MCK, TIMER2_CH0, EVENTOUT, I2C0_TXFRAME, TIMER16_BRKIN |
| PB5 | 26 | I/O | 5VT | Default: PB5 Alternate: SPI0_MOSI, I2S0_SD, I2C0_SMBA, TIMER15_BRKIN, TIMER2_CH1 Additional: WKUP5 |
| PB6 | 27 | I/O | 5VT | Default: PB6 Alternate: I2C0_SCL, USART0_TX, TIMER15_CH0_ON |
| PB7 | 28 | I/O | 5VT | Default: PB7 Alternate: I2C0_SDA, USART0_RX, TIMER16_CH0_ON |

Notes:

- (1) Type: I = input, O = output, P = power.
- (2) I/O Level: 5VT = 5 V tolerant.
- (3) Functions are available on GD32E235G4 devices only.
- (4) Functions are available on GD32E235GB/8/6 devices.
- (5) Functions are available on GD32E235GB/8 devices only.
- (6) Pin pair PA11/PA12 can be remapped instead of pin pair PA9/PA10 using SYSCFG_CFG0 register. [Table 2-13. Port A alternate functions summary](#) shows PA11/PA12 remap.

2.6.6 GD32E235Ex TSSOP24 pin definitions

Table 2-10. GD32E235Ex TSSOP24 pin definitions

| Pin Name | Pins | Pin Type ⁽¹⁾ | I/O Level ⁽²⁾ | Functions description |
|----------|------|-------------------------|--------------------------|---|
| VDDA | 1 | P | | Default: VDDA |
| PA0-WKUP | 2 | I/O | | Default: PA0 Alternate: USART1_CTS, CMP_OUT, I2C1_SCL Additional: ADC_IN0, CMP_IM6, RTC_TAMP1, WKUP0 |
| PA1 | 3 | I/O | | Default: PA1 Alternate: USART1_RTS/USART1_DE, I2C1_SDA, EVENTOUT Additional: ADC_IN1, CMP_IP |
| PA2 | 4 | I/O | | Default: PA2 Alternate: USART1_TX Additional: ADC_IN2, CMP_IM7 |
| PA3 | 5 | I/O | | Default: PA3 Alternate: USART1_RX Additional: ADC_IN3 |
| PA4 | 6 | I/O | | Default: PA4 Alternate: SPI0_NSS, I2S0_WS, USART1_CK, TIMER13_CH0, SPI1_NSS Additional: ADC_IN4, CMP_IM4 |
| PA5 | 7 | I/O | | Default: PA5 Alternate: SPI0_SCK, I2S0_CK Additional: ADC_IN5, CMP_IM5 |
| PA6 | 8 | I/O | | Default: PA6 Alternate: SPI0_MISO, I2S0_MCK, TIMER2_CH0, TIMER0_BRKIN, TIMER15_CH0, EVENTOUT, CMP_OUT Additional: ADC_IN6 |
| PA7 | 9 | I/O | | Default: PA7 Alternate: SPI0_MOSI, I2S0_SD, TIMER2_CH1, TIMER13_CH0, TIMER0_CH0_ON, TIMER16_CH0, EVENTOUT Additional: ADC_IN7 |
| PB0 | 10 | I/O | | Default: PB0 Alternate: TIMER2_CH2, TIMER0_CH1_ON, USART1_RX, EVENTOUT Additional: ADC_IN8 |
| VSS | 11 | P | | Default: VSS |
| VDD | 12 | P | | Default: VDD |
| PB1 | 13 | I/O | | Default: PB1 Alternate: TIMER2_CH3, TIMER13_CH0, TIMER0_CH2_ON, SPI1_SCK Additional: ADC_IN9 |
| PA8 | 14 | I/O | 5VT | Default: PA8 |

| Pin Name | Pins | Pin Type ⁽¹⁾ | I/O Level ⁽²⁾ | Functions description |
|---------------------|------|-------------------------|--------------------------|--|
| | | | | Alternate: USART0_CK, TIMER0_CH0, CK_OUT, USART1_TX, EVENTOUT |
| PA9 ⁽³⁾ | 15 | I/O | 5VT | Default: PA9 Alternate: USART0_TX, TIMER0_CH1, I2C0_SCL, CK_OUT |
| PA10 ⁽³⁾ | 16 | I/O | 5VT | Default: PA10 Alternate: USART0_RX, TIMER0_CH2, TIMER16_BRKIN, I2C0_SDA |
| PA13 | 17 | I/O | 5VT | Default: PA13/SWDIO Alternate: SWDIO, IFRP_OUT, SPI1_MISO |
| PA14 | 18 | I/O | 5VT | Default: PA14/SWCLK Alternate: USART1_TX, SWCLK, SPI1_MOSI |
| PB6 | 19 | I/O | 5VT | Default: PB6 Alternate: I2C0_SCL, USART0_TX, TIMER15_CH0_ON |
| PB7 | 20 | I/O | 5VT | Default: PB7 Alternate: I2C0_SDA, USART0_RX, TIMER16_CH0_ON |
| BOOT0 | 21 | I | | Default: BOOT0 |
| PF0/OSCIN | 22 | I/O | 5VT | Default: PF0 Alternate: I2C0_SDA Additional: OSCIN |
| PF1/OSCOU T | 23 | I/O | 5VT | Default: PF1 Alternate: I2C0_SCL Additional: OSCOUT |
| NRST | 24 | I/O | | Default: NRST |

Notes:

- (1) Type: I = input, O = output, P = power.
- (2) I/O Level: 5VT = 5 V tolerant.
- (3) Pin pair PA11/PA12 can be remapped instead of pin pair PA9/PA10 using SYSCFG_CFG0 register. [Table 2-13. Port A alternate functions summary](#) shows PA11/PA12 remap.

2.6.7 GD32E235Fx TSSOP20 pin definitions

Table 2-11. GD32E235Fx TSSOP20 pin definitions

| Pin Name | Pins | Pin Type ⁽¹⁾ | I/O Level ⁽²⁾ | Functions description |
|----------------|------|-------------------------|--------------------------|---|
| PF0/OSCIN | 2 | I/O | 5VT | Default: PF0 Alternate: I2C0_SDA Additional: OSCIN |
| PF1/OSCOU T | 3 | I/O | 5VT | Default: PF1 Alternate: I2C0_SCL Additional: OSCOUT |
| NRST | 4 | I/O | | Default: NRST |
| VDDA | 5 | P | | Default: VDDA |

| Pin Name | Pins | Pin Type ⁽¹⁾ | I/O Level ⁽²⁾ | Functions description |
|---------------------|------|-------------------------|--------------------------|--|
| PA0-WKUP | 6 | I/O | | Default: PA0 Alternate: USART0_CTS ⁽³⁾ , USART1_CTS ⁽⁴⁾ , CMP_OUT, I2C1_SCL ⁽⁵⁾ Additional: ADC_IN0, CMP_IM6, RTC_TAMP1, WKUP0 |
| PA1 | 7 | I/O | | Default: PA1 Alternate: USART0_RTS/USART0_DE ⁽³⁾ , USART1_RTS/USART1_DE ⁽⁴⁾ , I2C1_SDA ⁽⁵⁾ , EVENTOUT Additional: ADC_IN1, CMP_IP |
| PA2 | 8 | I/O | | Default: PA2 Alternate: USART0_TX ⁽³⁾ , USART1_TX ⁽⁴⁾ Additional: ADC_IN2, CMP_IM7 |
| PA3 | 9 | I/O | | Default: PA3 Alternate: USART0_RX ⁽³⁾ , USART1_RX ⁽⁴⁾ Additional: ADC_IN3 |
| PA4 | 10 | I/O | | Default: PA4 Alternate: SPI0_NSS, I2S0_WS, USART0_CK ⁽³⁾ , USART1_CK ⁽⁴⁾ , TIMER13_CH0, SPI1_NSS ⁽⁵⁾ Additional: ADC_IN4, CMP_IM4 |
| PA5 | 11 | I/O | | Default: PA5 Alternate: SPI0_SCK, I2S0_CK Additional: ADC_IN5, CMP_IM5 |
| PA6 | 12 | I/O | | Default: PA6 Alternate: SPI0_MISO, I2S0_MCK, TIMER2_CH0, TIMER0_BRKIN, TIMER15_CH0, EVENTOUT, CMP_OUT Additional: ADC_IN6 |
| PA7 | 13 | I/O | | Default: PA7 Alternate: SPI0_MOSI, I2S0_SD, TIMER2_CH1, TIMER13_CH0, TIMER0_CH0_ON, TIMER16_CH0, EVENTOUT Additional: ADC_IN7 |
| PB1 | 14 | I/O | | Default: PB1 Alternate: TIMER2_CH3, TIMER13_CH0, TIMER0_CH2_ON, SPI1_SCK ⁽⁵⁾ Additional: ADC_IN9 |
| VSS | 15 | P | | Default: VSS |
| VDD | 16 | P | | Default: VDD |
| PA9 ⁽⁶⁾ | 17 | I/O | 5VT | Default: PA9 Alternate: USART0_TX, TIMER0_CH1, I2C0_SCL, CK_OUT |
| PA10 ⁽⁶⁾ | 18 | I/O | 5VT | Default: PA10 Alternate: USART0_RX, TIMER0_CH2, TIMER16_BRKIN, I2C0_SDA |
| PA13 | 19 | I/O | 5VT | Default: PA13/SWDIO Alternate: SWDIO, IFRP_OUT, SPI1_MISO ⁽⁵⁾ |

| Pin Name | Pins | Pin Type ⁽¹⁾ | I/O Level ⁽²⁾ | Functions description |
|----------|------|-------------------------|--------------------------|---|
| PA14 | 20 | I/O | 5VT | Default: PA14/SWCLK Alternate: USART0_TX ⁽³⁾ , USART1_TX ⁽⁴⁾ , SWCLK, SPI1_MOSI ⁽⁵⁾ |
| BOOT0 | 1 | I | | Default: BOOT0 |

Notes:

- (1) Type: I = input, O = output, P = power.
- (2) I/O Level: 5VT = 5 V tolerant.
- (3) Functions are available on GD32E235F4 devices only.
- (4) Functions are available on GD32E235F8/6 devices.
- (5) Functions are available on GD32E235F8 devices only.
- (6) Pin pair PA11/PA12 can be remapped instead of pin pair PA9/PA10 using SYSCFG_CFG0 register. [Table 2-13. Port A alternate functions summary](#) shows PA11/PA12 remap.

2.6.8 GD32E235Fx LGA20 pin definitions

Table 2-12. GD32E235Fx LGA20 pin definitions

| Pin Name | Pins | Pin Type ⁽¹⁾ | I/O Level ⁽²⁾ | Functions description |
|----------------|------|-------------------------|--------------------------|--|
| PF0/OSCIN | 19 | I/O | 5VT | Default: PF0 Alternate: I2C0_SDA Additional: OSCIN |
| PF1/OSCOU T | 20 | I/O | 5VT | Default: PF1 Alternate: I2C0_SCL Additional: OSCOUT |
| NRST | 1 | I/O | | Default: NRST |
| VDDA | 2 | P | | Default: VDDA |
| PA0-WKUP | 3 | I/O | | Default: PA0 Alternate: USART0_CTS ⁽³⁾ , USART1_CTS ⁽⁴⁾ , CMP_OUT, I2C1_SCL ⁽⁵⁾ Additional: ADC_IN0, CMP_IM6, RTC_TAMP1, WKUP0 |
| PA1 | 4 | I/O | | Default: PA1 Alternate: USART0_RTS/USART0_DE ⁽³⁾ , USART1_RTS/USART1_DE ⁽⁴⁾ , I2C1_SDA ⁽⁵⁾ , EVENTOUT Additional: ADC_IN1, CMP_IP |
| PA2 | 5 | I/O | | Default: PA2 Alternate: USART0_TX ⁽³⁾ , USART1_TX ⁽⁴⁾ Additional: ADC_IN2, CMP_IM7 |
| PA3 | 6 | I/O | | Default: PA3 Alternate: USART0_RX ⁽³⁾ , USART1_RX ⁽⁴⁾ Additional: ADC_IN3 |
| PA4 | 7 | I/O | | Default: PA4 Alternate: SPI0_NSS, I2S0_WS, USART0_CK ⁽³⁾ , |

| Pin Name | Pins | Pin Type ⁽¹⁾ | I/O Level ⁽²⁾ | Functions description |
|---------------------|------|-------------------------|--------------------------|---|
| | | | | USART1_CK ⁽⁴⁾ , TIMER13_CH0, SPI1_NSS ⁽⁵⁾ Additional: ADC_IN4, CMP_IM4 |
| PA5 | 8 | I/O | | Default: PA5 Alternate: SPI0_SCK, I2S0_CK Additional: ADC_IN5, CMP_IM5 |
| PA6 | 9 | I/O | | Default: PA6 Alternate: SPI0_MISO, I2S0_MCK, TIMER2_CH0, TIMER0_BRKIN, TIMER15_CH0, EVENTOUT, CMP_OUT Additional: ADC_IN6 |
| PA7 | 10 | I/O | | Default: PA7 Alternate: SPI0_MOSI, I2S0_SD, TIMER2_CH1, TIMER13_CH0, TIMER0_CH0_ON, TIMER16_CH0, EVENTOUT Additional: ADC_IN7 |
| PB1 | 11 | I/O | | Default: PB1 Alternate: TIMER2_CH3, TIMER13_CH0, TIMER0_CH2_ON, SPI1_SCK ⁽⁵⁾ Additional: ADC_IN9 |
| VSS | 12 | P | | Default: VSS |
| VDD | 13 | P | | Default: VDD |
| PA9 ⁽⁶⁾ | 14 | I/O | 5VT | Default: PA9 Alternate: USART0_TX, TIMER0_CH1, I2C0_SCL, CK_OUT |
| PA10 ⁽⁶⁾ | 15 | I/O | 5VT | Default: PA10 Alternate: USART0_RX, TIMER0_CH2, TIMER16_BRKIN, I2C0_SDA |
| PA13 | 16 | I/O | 5VT | Default: PA13/SWDIO Alternate: SWDIO, IFRP_OUT, SPI1_MISO ⁽⁵⁾ |
| PA14 | 17 | I/O | 5VT | Default: PA14/SWCLK Alternate: USART0_TX ⁽³⁾ , USART1_TX ⁽⁴⁾ , SWCLK, SPI1_MOSI ⁽⁵⁾ |
| BOOT0 | 18 | I | | Default: BOOT0 |

Notes:

- (1) Type: I = input, O = output, P = power.
- (2) I/O Level: 5VT = 5 V tolerant.
- (3) Functions are available on GD32E235F4 devices only.
- (4) Functions are available on GD32E235F8/6 devices.
- (5) Functions are available on GD32E235F8 devices only.
- (6) Pin pair PA11/PA12 can be remapped instead of pin pair PA9/PA10 using SYSCFG_CFG0 register. [Table 2-13. Port A alternate functions summary](#) shows PA11/PA12 remap.

2.6.9 GD32E235xx pin alternate functions

Table 2-13. Port A alternate functions summary

| Pin Name | AF0 | AF1 | AF2 | AF3 | AF4 | AF5 | AF6 | AF7 |
|----------|------------------------------|--|---------------|----------|--------------------------|-------------------------------|--------------------------|---------|
| PA0 | | USART0_CTS ⁽¹⁾ /USART1_CTS ⁽²⁾ | | | I2C1_SCL ⁽³⁾ | | | CMP_OUT |
| PA1 | EVENTOUT | USART0_RTS ⁽¹⁾ /USART0_DE ⁽¹⁾ USART1_RTS ⁽²⁾ /USART1_DE ⁽²⁾ | | | I2C1_SDA ⁽³⁾ | TIMER14_CH0_ON ⁽³⁾ | | |
| PA2 | TIMER14_CH0 ⁽³⁾ | USART0_TX ⁽¹⁾ USART1_TX ⁽²⁾ | | | | | | |
| PA3 | TIMER14_CH1 ⁽³⁾ | USART0_RX ⁽¹⁾ USART1_RX ⁽²⁾ | | | | | | |
| PA4 | SPI0_NSS/I2S0_WS | USART0_CK ⁽¹⁾ USART1_CK ⁽²⁾ | | | TIMER13_CH0 | | SPI1_NSS ⁽³⁾ | |
| PA5 | SPI0_SCK/I2S0_CK | | | | | | | |
| PA6 | SPI0_MISO/I2S0_MCK | TIMER2_CH0 | TIMER0_BRKIN | | | TIMER15_CH0 | EVENTOUT | CMP_OUT |
| PA7 | SPI0_MOSI/I2S0_SD | TIMER2_CH1 | TIMER0_CH0_ON | | TIMER13_CH0 | TIMER16_CH0 | EVENTOUT | |
| PA8 | CK_OUT | USART0_CK | TIMER0_CH0 | EVENTOUT | USART1_TX ⁽²⁾ | | | |
| PA9 | TIMER14_BRKIN ⁽³⁾ | USART0_TX | TIMER0_CH1 | | I2C0_SCL | CK_OUT | | |
| PA10 | TIMER16_BRKIN | USART0_RX | TIMER0_CH2 | | I2C0_SDA | | | |
| PA11 | EVENTOUT | USART0_CTS | TIMER0_CH3 | | I2C0_SMB_A | I2C1_SCL ⁽³⁾ | SPI1_I/O2 ⁽³⁾ | CMP_OUT |
| PA12 | EVENTOUT | USART0_RTS/USART0_DE | TIMER0_ETI | | I2C0_TXF_RAME | I2C1_SDA ⁽³⁾ | SPI1_I/O3 ⁽³⁾ | |
| PA13 | SWDIO | IFRP_OUT | | | | | SPI1_MISO ⁽³⁾ | |
| PA14 | SWCLK | USART0_TX ⁽¹⁾ USART1_TX ⁽²⁾ | | | | | SPI1_MOSI ⁽³⁾ | |
| PA15 | SPI0_NSS/I2S0_WS | USART0_RX ⁽¹⁾ USART1_RX ⁽²⁾ | | EVENTOUT | | | SPI1_NSS ⁽³⁾ | |

Table 2-14. Port B alternate functions summary

| Pin Name | AF0 | AF1 | AF2 | AF3 | AF4 | AF5 | AF6 | AF7 |
|----------|--|--|----------------|-------------------------------|--------------------------|-------------------------|-------------------------|-------------------------|
| PB0 | EVENTOUT | TIMER2_CH2 | TIMER0_CH1_ON | | USART1_RX ⁽²⁾ | | | |
| PB1 | TIMER13_CH0 | TIMER2_CH3 | TIMER0_CH2_ON | | | | SPI1_SCK ⁽³⁾ | |
| PB2 | | TIMER2_ETI | | | | | | |
| PB3 | SPI0_SCK/I2S0_SCK | EVENTOUT | | | | | | |
| PB4 | SPI0_MISO/I2S0_MCK | TIMER2_CH0 | EVENTOUT | | I2C0_TXFRAME | | TIMER16_BRKIN | |
| PB5 | SPI0_MOSI/I2S0_SD | TIMER2_CH1 | TIMER15_BRKIN | I2C0_SMBA | | | | |
| PB6 | USART0_TX | I2C0_SCL | TIMER15_CH0_ON | | | | | |
| PB7 | USART0_RX | I2C0_SDA | TIMER16_CH0_ON | | | | | |
| PB8 | | I2C0_SCL | TIMER15_CH0 | | | | | |
| PB9 | IFRP_OUT | I2C0_SDA | TIMER16_CH0 | EVENTOUT | | I2S0_MCK | | SPI1_NSS ⁽³⁾ |
| PB10 | | I2C0_SCL ⁽¹⁾ /I2C1_SCL ⁽³⁾ | | | | | SPI1_IO2 ⁽³⁾ | SPI1_SCK ⁽³⁾ |
| PB11 | EVENTOUT | I2C0_SDA ⁽¹⁾ /I2C1_SDA ⁽³⁾ | | | | | SPI1_IO3 ⁽³⁾ | |
| PB12 | SPI0_NSS ⁽¹⁾ /SPI1_NSS ⁽³⁾ | EVENTOUT | TIMER0_BRKIN | | I2C1_SMBA ⁽³⁾ | | | |
| PB13 | SPI0_SCK ⁽¹⁾ /SPI1_SCK ⁽³⁾ | I2C1_TXFRAME ⁽³⁾ | TIMER0_CH0_ON | | | I2C1_SCK ⁽³⁾ | | |
| PB14 | SPI0_MISO ⁽¹⁾ /SPI1_MISO ⁽³⁾ | TIMER14_CH0 ⁽³⁾ | TIMER0_CH1_ON | | | I2C1_SDA ⁽³⁾ | | |
| PB15 | SPI0_MOSI ⁽¹⁾ /SPI1_MOSI ⁽³⁾ | TIMER14_CH1 ⁽³⁾ | TIMER0_CH2_ON | TIMER14_CH0_ON ⁽³⁾ | | | | |

Table 2-15. Port F alternate functions summary

| Pin Name | AF0 | AF1 | AF2 | AF3 | AF4 | AF5 | AF6 |
|----------|--|----------|-----|-----|-----|-----|-----|
| PF0 | | I2C0_SDA | | | | | |
| PF1 | | I2C0_SCL | | | | | |
| PF6 | I2C0_SCL ⁽¹⁾ /I2C1_SCL ⁽³⁾ | | | | | | |

| Pin Name | AF0 | AF1 | AF2 | AF3 | AF4 | AF5 | AF6 |
|----------|-------------------------|-----|-----|-----|-----|-----|-----|
| PF7 | I2C0_SDA(1)/I2C1_SDA(3) | | | | | | |

Notes:

- (1) Functions are available on GD32E235x4 devices only.
- (2) Functions are available on GD32E235xB/8/6 devices.
- (3) Functions are available on GD32E235xB/8 devices only.

3 Functional description

3.1 ARM® Cortex®-M23 core

The Cortex-M23 processor is an energy-efficient processor with a very low gate count. It is intended to be used for microcontroller and deeply embedded applications that require an area-optimized processor. The processor is highly configurable enabling a wide range of implementations from those requiring memory protection to cost sensitive devices requiring minimal area, while delivering outstanding computational performance and an advanced system response to interrupts.

32-bit ARM® Cortex®-M23 processor core

- Up to 72 MHz operation frequency
- Single-cycle multiplication and hardware divider
- Ultra-low power, energy-efficient operation
- Excellent code density
- Integrated Nested Vectored Interrupt Controller (NVIC)
- 24-bit SysTick timer

The Cortex®-M23 processor is based on the ARMv8-M architecture and supports both Thumb and Thumb-2 instruction sets. Some system peripherals listed below are also provided by Cortex®-M23:

- Internal Bus Matrix connected with AHB master, Serial Wire Debug Port and Single-cycle IO port
- Nested Vectored Interrupt Controller (NVIC)
- Breakpoint Unit(BPU)
- Data Watchpoint
- Serial Wire Debug Port

3.2 Embedded memory

- Up to 128 Kbytes of Flash memory
- Up to 16 Kbytes of SRAM with hardware parity checking

128 Kbytes of inner Flash and 16 Kbytes of inner SRAM at most is available for storing programs and data, and Flash is accessed (read) at CPU clock speed with 0~2 wait states. [Table 2-4. GD32E235xx memory map](#) shows the memory map of the GD32E235xx series of devices, including code, SRAM, peripheral, and other pre-defined regions.

3.3 Clock, reset and supply management

- Internal 8 MHz factory-trimmed RC and external 4 to 32 MHz crystal oscillator

- Internal 28 MHz RC oscillator
- Internal 40 KHz RC calibrated oscillator and external 32.768 KHz crystal oscillator
- Integrated system clock PLL
- 1.8 to 3.6 V application supply and I/Os
- Supply Supervisor: POR (Power On Reset), PDR (Power Down Reset), and low voltage detector (LVD)

The Clock Control Unit (CCU) provides a range of oscillator and clock functions. These include speed internal RC oscillator and external crystal oscillator, high speed and low speed two types. Several prescalers allow the frequency configuration of the AHB and two APB domains. The maximum frequency of the AHB, APB2 and APB1 domains is 72 MHz/72 MHz/72 MHz. See [Figure 2-10. GD32E235xx clock tree](#) for details on the clock tree.

The Reset Control Unit (RCU) controls three kinds of reset: system reset resets the processor core and peripheral IP components. Power-on reset (POR) and power-down reset (PDR) are always active, and ensures proper operation starting from 1.71 V and down to 1.67 V. The device remains in reset mode when V_{DD} is below a specified threshold. The embedded low voltage detector (LVD) monitors the power supply, compares it to the voltage threshold and generates an interrupt as a warning message for leading the MCU into security.

Power supply schemes:

- V_{DD} range: 1.8 to 3.6 V, external power supply for I/Os and the internal regulator. Provided externally through V_{DD} pins.
- V_{SSA} , V_{DDA} range: 1.8 to 3.6 V, external analog power supplies for ADC, reset blocks, RCs and PLL. V_{DDA} and V_{SSA} must be connected to V_{DD} and V_{SS} , respectively.
- V_{BAK} range: 1.8 to 3.6 V, power supply for RTC, external clock 32 KHz oscillator and backup registers (through power switch) when V_{DD} is not present.

3.4 Boot modes

At startup, boot pins are used to select one of three boot options:

- Boot from main Flash memory (default)
- Boot from system memory
- Boot from on-chip SRAM

In default condition, boot from main Flash memory is selected. The boot loader is located in the internal boot ROM memory (system memory). It is used to reprogram the Flash memory by using USART0 (PA9 and PA10) or USART1 (PA14 and PA15 or PA2 and PA3).

3.5 Power saving modes

The MCU supports three kinds of power saving modes to achieve even lower power consumption. They are sleep mode, deep-sleep mode, and standby mode. These operating modes reduce the power consumption and allow the application to achieve the best balance between the CPU operating time, speed and power consumption.

- **Sleep mode**
In sleep mode, only the clock of CPU core is off. All peripherals continue to operate and any interrupt/event can wake up the system.
- **Deep-sleep mode**
In deep-sleep mode, all clocks in the 1.2V domain are off, and all of the high speed crystal oscillator (IRC8M, HXTAL) and PLL are disabled. Only the contents of SRAM and registers are retained. Any interrupt or wakeup event from EXTI lines can wake up the system from the deep-sleep mode including the 16 external lines, the RTC alarm, RTC tamper and timestamp, CMP output, LVD output and USART wakeup. When exiting the deep-sleep mode, the IRC8M is selected as the system clock.
- **Standby mode**
In standby mode, the whole 1.2V domain is power off, the LDO is shut down, and all of IRC8M, HXTAL and PLL are disabled. The contents of SRAM and registers (except backup registers) are lost. There are four wakeup sources for the standby mode, including the external reset from NRST pin, the RTC alarm, the FWDGT reset, and the rising edge on WKUP pin.

3.6 Analog to digital converter (ADC)

- 12-bit SAR ADC's conversion rate is up to 2 MSPS
- 12-bit, 10-bit, 8-bit or 6-bit configurable resolution
- Hardware oversampling ratio adjustable from 2 to 256x improves resolution to 16-bit
- Input voltage range: V_{SSA} to V_{DDA}
- Temperature sensor

One 12-bit 2 MSPS multi-channel ADC is integrated in the device. It has a total of 12 multiplexed channels: up to 10 external channels, 1 channel for internal temperature sensor (V_{SENSE}) and 1 channel for internal reference voltage (V_{REFINT}). The input voltage range is between V_{SSA} and V_{DDA} . An on-chip hardware oversampling scheme improves performance while off-loading the related computational burden from the CPU. An analog watchdog block can be used to detect the channels, which are required to remain within a specific threshold window. A configurable channel management block can be used to perform conversions in single, continuous, scan or discontinuous mode to support more advanced use.

The ADC can be triggered from the events generated by the general level 0 timers (TIMERx) and the advanced timer (TIMER0) with internal connection. The temperature sensor can be used to generate a voltage that varies linearly with temperature. It is internally connected to the ADC_IN16 input channel which is used to convert the sensor output voltage in a digital value.

3.7 DMA

- 5 channels DMA controller
- Peripherals supported: Timers, ADC, SPIs, I2Cs, USARTs and I2S

The flexible general-purpose DMA controllers provide a hardware method of transferring data between peripherals and/or memory without intervention from the CPU, thereby freeing up bandwidth for other system functions. Three types of access method are supported: peripheral to memory, memory to peripheral, memory to memory.

Each channel is connected to fixed hardware DMA requests. The priorities of DMA channel requests are determined by software configuration and hardware channel number. Transfer size of source and destination are independent and configurable.

3.8 General-purpose inputs/outputs (GPIOs)

- Up to 39 fast GPIOs, all mappable on 16 external interrupt lines
- Analog input/output configurable
- Alternate function input/output configurable

There are up to 39 general purpose I/O pins (GPIO) in GD32E235xx, named PA0 ~ PA15 and PB0 ~ PB15, PC13 ~ PC15, PF0 ~ PF1, PF6 ~ PF7 to implement logic input/output functions. Each of the GPIO ports has related control and configuration registers to satisfy the requirements of specific applications. The external interrupts on the GPIO pins of the device have related control and configuration registers in the Interrupt/event controller (EXTI). The GPIO ports are pin-shared with other alternative functions (AFs) to obtain maximum flexibility on the package pins. Each of the GPIO pins can be configured by software as output (push-pull open-drain or analog), as input (with or without pull-up or pull-down) or as peripheral alternate function. Most of the GPIO pins are shared with digital or analog alternate functions. All GPIOs are high-current capable except for analog inputs.

3.9 Timers and PWM generation

- One 16-bit advanced timer (TIMER0), up to five 16-bit general timers (TIMER2, TIMER13 ~ TIMER16), and one 16-bit basic timer (TIMER5)
- Up to 4 independent channels of PWM, output compare or input capture for each general timer and external trigger input
- 16-bit, motor control PWM advanced timer with programmable dead-time generation for output match
- Encoder interface controller with two inputs using quadrature decoder
- 24-bit SysTick timer down counter
- 2 watchdog timers (free watchdog timer and window watchdog timer)

The advanced timer (TIMER0) can be used as a three-phase PWM multiplexed on 6 channels. It has complementary PWM outputs with programmable dead-time generation. It can also be used as a complete general timer. The 4 independent channels can be used for input capture, output compare, PWM generation (edge- or center- aligned counting modes) and single pulse mode output. If configured as a general 16-bit timer, it has the same functions as the TIMEx timer. It can be synchronized with external signals or to interconnect with other general timers

together which have the same architecture and features.

The general timer can be used for a variety of purposes including general time, input signal pulse width measurement or output waveform generation such as a single pulse generation or PWM output, up to 4 independent channels for input capture/output compare. TIMER2 is based on a 16-bit auto-reload up/down counter and a 16-bit prescaler. TIMER13 ~ TIMER16 is based on a 16-bit auto-reload up counter and a 16-bit prescaler. The general timer also supports an encoder interface with two inputs using quadrature decoder.

The basic timer, known as TIMER5 can also be used as a simple 16-bit time base.

The GD32E235xx have two watchdog peripherals, free watchdog and window watchdog. They offer a combination of high safety level, flexibility of use and timing accuracy.

The free watchdog timer includes a 12-bit down-counting counter and an 8-bit prescaler. It is clocked from an independent 40 KHz internal RC and as it operates independently of the main clock, it can operate in deep-sleep and standby modes. It can be used either as a watchdog to reset the device when a problem occurs, or as a free-running timer for application timeout management.

The window watchdog is based on a 7-bit down counter that can be set as free-running. It can be used as a watchdog to reset the device when a problem occurs. It is clocked from the main clock. It has an early wakeup interrupt capability and the counter can be frozen in debug mode.

The SysTick timer is dedicated for OS, but could also be used as a standard down counter. The features are shown below:

- A 24-bit down counter
- Auto reload capability
- Maskable system interrupt generation when the counter reaches 0
- Programmable clock source

3.10 Real time clock (RTC)

- Independent binary-coded decimal (BCD) format timer/counter with five 32-bit backup registers.
- Calendar with subsecond, second, minute, hour, week day, date, year and month automatically correction
- Alarm function with wake up from deep-sleep and standby mode capability
- On-the-fly correction for synchronization with master clock. Digital calibration with 0.954 ppm resolution for compensation of quartz crystal inaccuracy.

The real time clock is an independent timer which provides a set of continuously running counters in backup registers to provide a real calendar function, and provides an alarm interrupt or an expected interrupt. It is not reset by a system or power reset, or when the device wakes up from standby mode. In the RTC unit, there are two prescalers used for implementing the calendar and other functions. One prescaler is a 7-bit asynchronous

prescaler and the other is a 15-bit synchronous prescaler.

3.11 Inter-integrated circuit (I2C)

- Up to two I2C bus interfaces can support both master and slave mode with a frequency up to 1 MHz (Fast mode plus)
- Provide arbitration function, optional PEC (packet error checking) generation and checking
- Supports 7-bit and 10-bit addressing mode and general call addressing mode
- Supports SAM_V mode

The I2C interface is an internal circuit allowing communication with an external I2C interface which is an industry standard two line serial interface used for connection to external hardware. These two serial lines are known as a serial data line (SDA) and a serial clock line (SCL). The I2C module provides different data transfer rates: up to 100 KHz in standard mode, up to 400 KHz in the fast mode and up to 1 MHz in the fast mode plus. The I2C module also has an arbitration detect function to prevent the situation where more than one master attempts to transmit data to the I2C bus at the same time. A CRC-8 calculator is also provided in I2C interface to perform packet error checking for I2C data.

3.12 Serial peripheral interface (SPI)

- Support both master and slave mode
- Hardware CRC calculation and transmit automatic CRC error checking
- Separate transmit and receive 32-bit FIFO with DMA capability (only in SPI1)
- Data frame size can be 4 to 16 bits (only in SPI1)
- Quad-SPI configuration available in master mode (only in SPI1)

The SPI interface uses 4 pins, among which are the serial data input and output lines (MISO & MOSI), the clock line (SCK) and the slave select line (NSS). Both SPIs can be served by the DMA controller. The SPI interface may be used for a variety of purposes, including simplex synchronous transfers on two lines with a possible bidirectional data line or reliable communication using CRC checking. Specially, SPI1 has separate transmit and receive 32-bit FIFO with DMA capability and its data frame size can be 4 to 16 bits. Quad-SPI master mode is also supported in SPI1.

3.13 Universal synchronous asynchronous receiver transmitter (USART)

- Up to two USARTs with operating frequency up to 9 MBits/s when the clock frequency is 72 MHz and oversampling is by 8
- Supports both asynchronous and clocked synchronous serial communication modes

- IrDA SIR encoder and decoder support
- LIN break generation and detection
- ISO 7816-3 compliant smart card interface

The USART (USART0, USART1) are used to translate data between parallel and serial interfaces, provides a flexible full duplex data exchange using synchronous or asynchronous transfer. It is also commonly used for RS-232 standard communication. The USART includes a programmable baud rate generator which is capable of dividing the system clock to produce a dedicated clock for the USART transmitter and receiver. The USART also supports DMA function for high speed data communication.

3.14 Inter-IC sound (I2S)

- One I2S bus Interfaces with sampling frequency from 8 KHz to 192 KHz, multiplexed with SPI0
- Support either master or slave mode

The Inter-IC sound (I2S) bus provides a standard communication interface for digital audio applications by 3-wire serial lines. GD32E235xx contain an I2S-bus interface that can be operated with 16/32 bit resolution in master or slave mode, pin multiplexed with SPI0. The audio sampling frequency from 8 KHz to 192 KHz is supported with less than 0.5% accuracy error.

3.15 Comparators (CMP)

- One fast rail-to-rail low-power comparators with software configurable
- Programmable reference voltage (internal or external I/O)

One Comparator (CMP) is implemented within the devices. It can wake up from deep-sleep mode to generate interrupts and breaks for the timers and also can be combined as a window comparator. The internal voltage reference is also connected to ADC_IN17 input channel of the ADC.

3.16 Debug mode

- Serial wire debug port

Debug capabilities can be accessed by a debug tool via Serial Wire (SW - Debug Port).

3.17 Package and operation temperature

- LQFP48 (GD32E235CxTx), QFN48 (GD32E235CxOx), LQFP32 (GD32E235KxTx), QFN32 (GD32E235KxUx), QFN28 (GD32E235GxUx), TSSOP24 (GD32E235ExPx),

TSSOP20 (GD32E235FxFxPx) and LGA20 (GD32E235FxFxVx).

- Operation temperature range: -40°C to +85°C (industrial level) for grade 6 devices, and -40°C to +105°C (industrial level) for grade 7 devices.

4 Electrical characteristics

4.1 Absolute maximum ratings

The maximum ratings are the limits to which the device can be subjected without permanently damaging the device. Note that the device is not guaranteed to operate properly at the maximum ratings. Exposure to the absolute maximum rating conditions for extended periods may affect device reliability.

Table 4-1. Absolute maximum ratings⁽¹⁾⁽⁴⁾

| Symbol | Parameter | Min | Max | Unit |
|----------------------|---|-----------------|-----------------|------|
| V_{DD} | External voltage range ⁽²⁾ | $V_{SS} - 0.3$ | $V_{SS} + 3.6$ | V |
| V_{DDA} | External analog supply voltage | $V_{SSA} - 0.3$ | $V_{SSA} + 3.6$ | V |
| V_{IN} | Input voltage on 5V tolerant pin ⁽³⁾ | $V_{SS} - 0.3$ | $V_{DD} + 3.6$ | V |
| | Input voltage on other I/O | $V_{SS} - 0.3$ | 3.6 | V |
| $ \Delta V_{DDx} $ | Variations between different VDD power pins | — | 50 | mV |
| $ V_{SSx} - V_{SS} $ | Variations between different ground pins | — | 50 | mV |
| I_{IO} | Maximum current for GPIO pins | — | ± 25 | mA |
| T_A | Operating temperature range for grade 6 device | -40 | +85 | °C |
| | Operating temperature range for grade 7 device | -40 | +105 | |
| P_D | Power dissipation at $T_A = 85^\circ\text{C}$ of LQFP48 ⁽⁵⁾ | — | 574 | mW |
| | Power dissipation at $T_A = 105^\circ\text{C}$ of LQFP48 ⁽⁵⁾ | — | 287 | |
| | Power dissipation at $T_A = 85^\circ\text{C}$ of QFN48 ⁽⁵⁾ | — | 939 | |
| | Power dissipation at $T_A = 85^\circ\text{C}$ of LQFP32 ⁽⁵⁾ | — | 724 | |
| | Power dissipation at $T_A = 85^\circ\text{C}$ of QFN32 ⁽⁵⁾ | — | 939 | |
| | Power dissipation at $T_A = 85^\circ\text{C}$ of QFN28 ⁽⁵⁾ | — | 845 | |
| | Power dissipation at $T_A = 85^\circ\text{C}$ of TSSOP24 ⁽⁵⁾ | — | 601 | |
| | Power dissipation at $T_A = 85^\circ\text{C}$ of TSSOP20 ⁽⁵⁾ | — | 595 | |
| T_{STG} | Storage temperature range | -65 | +150 | °C |
| T_J | Maximum junction temperature | — | 125 | °C |

(1) Guaranteed by design, not tested in production.

(2) All main power and ground pins should be connected to an external power source within the allowable range.

(3) V_{IN} maximum value cannot exceed 5.5 V.

(4) It is recommended that V_{DD} and V_{DDA} are powered by the same source. The maximum difference between V_{DD} and V_{DDA} does not exceed 300 mV during power-up and operation.

(5) For grade 6 devices, the parameter of $T_A=85^\circ\text{C}$, For grade 7 devices, the parameter of $T_A=105^\circ\text{C}$.

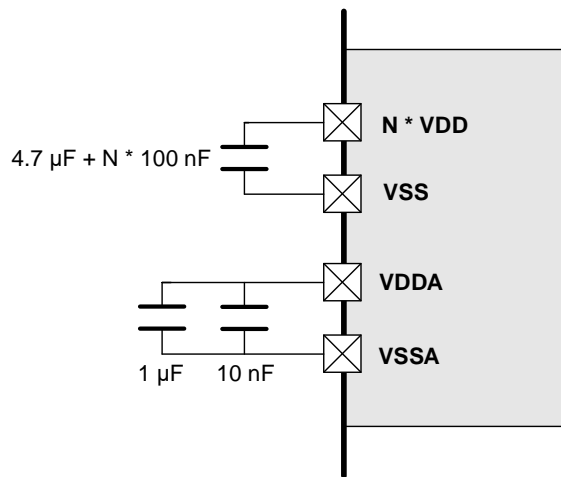
4.2 Operating conditions characteristics

Table 4-2. DC operating conditions

| Symbol | Parameter | Conditions | Min ⁽¹⁾ | Typ | Max ⁽¹⁾ | Unit |
|------------------|-----------------------|------------|--------------------|-----|--------------------|------|
| V _{DD} | Supply voltage | — | 1.8 | 3.3 | 3.6 | V |
| V _{DDA} | Analog supply voltage | — | 1.8 | 3.3 | 3.6 | V |

(1) Based on characterization, not tested in production.

Figure 4-1. Recommended power supply decoupling capacitors⁽¹⁾⁽²⁾



(1) More details refer to **AN074 GD32E23x Hardware Development Guide**.

(2) All decoupling capacitors need to be as close as possible to the pins on the PCB board.

Table 4-3. Clock frequency⁽¹⁾

| Symbol | Parameter | Conditions | Min | Max | Unit |
|--------------------|----------------------|------------|-----|-----|------|
| f _{HCLK1} | AHB1 clock frequency | — | 0 | 72 | MHz |
| f _{HCLK2} | AHB2 clock frequency | — | 0 | 72 | MHz |
| f _{APB1} | APB1 clock frequency | — | 0 | 72 | MHz |
| f _{APB2} | APB2 clock frequency | — | 0 | 72 | MHz |

(1) Guaranteed by design, not tested in production.

Table 4-4. Operating conditions at Power up/ Power down⁽¹⁾

| Symbol | Parameter | Conditions | Min | Max | Unit |
|------------------|--------------------------------|------------|-----|-----|-------|
| t _{VDD} | V _{DD} rise time rate | — | 0 | ∞ | μs /V |
| | V _{DD} fall time rate | | 20 | ∞ | |

(1) Guaranteed by design, not tested in production.

Table 4-5. Start-up timings of Operating conditions⁽¹⁾⁽²⁾⁽³⁾

| Symbol | Parameter | Conditions | Typ | Unit |
|-----------------------|---------------|-------------------------|--------------------|------|
| t _{start-up} | Start-up time | Clock source from HXTAL | 850 ⁽⁴⁾ | μs |
| | | Clock source from IRC8M | 87 | |

(1) Based on characterization, not tested in production.

(2) After power-up, the start-up time is the time between the rising edge of NRST high and the first I/O instruction conversion in SystemInit function.

- (3) PLL is off.
(4) When Clock source from HXTAL, the $t_{\text{start-up}}$ is related to the PCB layout and the quality of oscillator.

Table 4-6. Power saving mode wakeup timings characteristics⁽¹⁾⁽²⁾

| Symbol | Parameter | Typ | Unit |
|-------------------------|---|------|---------------|
| t_{Sleep} | Wakeup from Sleep mode | 2.5 | μs |
| $t_{\text{Deep-sleep}}$ | Wakeup from Deep-sleep mode (LDO On) | 31.6 | |
| | Wakeup from Deep-sleep mode (LDO in low power mode) | 31.6 | |
| t_{Standby} | Wakeup from Standby mode | 87.4 | |

- (1) Based on characterization, not tested in production.
(2) The wakeup time is measured from the wakeup event to the point at which the application code reads the first instruction under the below conditions: $V_{\text{DD}} = V_{\text{DDA}} = 3.3 \text{ V}$, IRC8M = System clock = 8 MHz.

4.3 Power consumption

The power measurements specified in the tables represent that code with data executing from on-chip Flash with the following specifications.

Table 4-7. Power consumption characteristics⁽²⁾⁽³⁾⁽⁴⁾⁽⁵⁾

| Symbol | Parameter | Conditions | Min | Typ ⁽¹⁾ | Max | Unit |
|--------------------------------|------------------------------|---|-----|--------------------|-----|------|
| $I_{\text{DD}}+I_{\text{DDA}}$ | Supply current (Run mode) | $V_{\text{DD}} = V_{\text{DDA}} = 3.3 \text{ V}$, HXTAL = 8 MHz, System clock = 72 MHz, All peripherals enabled | — | 8.4 | — | mA |
| | | $V_{\text{DD}} = V_{\text{DDA}} = 3.3 \text{ V}$, HXTAL = 8 MHz, System clock = 72 MHz, All peripherals disabled | — | 5.4 | — | mA |
| | | $V_{\text{DD}} = V_{\text{DDA}} = 3.3 \text{ V}$, HXTAL = 8 MHz, System clock = 48 MHz, All peripherals enabled | — | 6.0 | — | mA |
| | | $V_{\text{DD}} = V_{\text{DDA}} = 3.3 \text{ V}$, HXTAL = 8 MHz, System clock = 48 MHz, All peripherals disabled | — | 4.1 | — | mA |
| | | $V_{\text{DD}} = V_{\text{DDA}} = 3.3 \text{ V}$, HXTAL = 8 MHz, System clock = 36 MHz, All peripherals enabled | — | 4.9 | — | mA |
| | | $V_{\text{DD}} = V_{\text{DDA}} = 3.3 \text{ V}$, HXTAL = 8 MHz, System clock = 36 MHz, All peripherals disabled | — | 3.4 | — | mA |
| | | $V_{\text{DD}} = V_{\text{DDA}} = 3.3 \text{ V}$, HXTAL = 8 MHz, System clock = 24 MHz, All peripherals enabled | — | 3.7 | — | mA |
| | | $V_{\text{DD}} = V_{\text{DDA}} = 3.3 \text{ V}$, HXTAL = 8 MHz, System clock = 24 MHz, All peripherals disabled | — | 2.7 | — | mA |

| Symbol | Parameter | Conditions | Min | Typ ⁽¹⁾ | Max | Unit |
|--------|--------------------------------|---|-----|--------------------|-----|------|
| | | V _{DD} = V _{DDA} = 3.3 V, HXTAL = 8 MHz, System clock = 16 MHz, All peripherals enabled | — | 2.9 | — | mA |
| | | V _{DD} = V _{DDA} = 3.3 V, HXTAL = 8 MHz, System clock = 16 MHz, All peripherals disabled | — | 2.3 | — | mA |
| | | V _{DD} = V _{DDA} = 3.3 V, HXTAL = 8 MHz, System clock = 8 MHz, All peripherals enabled | — | 2.1 | — | mA |
| | | V _{DD} = V _{DDA} = 3.3 V, HXTAL = 8 MHz, System clock = 8 MHz, All peripherals disabled | — | 1.7 | — | mA |
| | | V _{DD} = V _{DDA} = 3.3 V, HXTAL = 4 MHz, System clock = 4 MHz, All peripherals enabled | — | 0.5 | — | mA |
| | | V _{DD} = V _{DDA} = 3.3 V, HXTAL = 4 MHz, System clock = 4 MHz, All peripherals disabled | — | 0.4 | — | mA |
| | | V _{DD} = V _{DDA} = 3.3 V, HXTAL = 2 MHz, System clock = 2 MHz, All peripherals enabled | — | 0.4 | — | mA |
| | | V _{DD} = V _{DDA} = 3.3 V, HXTAL = 2 MHz, System clock = 2 MHz, All peripherals disabled | — | 0.3 | — | mA |
| | Supply current (Sleep mode) | V _{DD} = V _{DDA} = 3.3 V, HXTAL = 8 MHz, CPU clock off, System clock = 72 MHz, All peripherals enabled | — | 7.5 | — | mA |
| | | V _{DD} = V _{DDA} = 3.3 V, HXTAL = 8 MHz, CPU clock off, System clock = 72 MHz, All peripherals disabled | — | 3.8 | — | mA |
| | | V _{DD} = V _{DDA} = 3.3 V, HXTAL = 8 MHz, CPU clock off, System clock = 48 MHz, All peripherals enabled | — | 5.5 | — | mA |
| | | V _{DD} = V _{DDA} = 3.3 V, HXTAL = 8 MHz, CPU clock off, System clock = 48 MHz, All peripherals disabled | — | 3.0 | — | mA |
| | | V _{DD} = V _{DDA} = 3.3 V, HXTAL = 8 MHz, CPU clock off, System clock = 36 MHz, All peripherals enabled | — | 4.4 | — | mA |
| | | V _{DD} = V _{DDA} = 3.3 V, HXTAL = 8 MHz, CPU clock off, System clock = 36 MHz, All peripherals disabled | — | 2.6 | — | mA |

| Symbol | Parameter | Conditions | Min | Typ ⁽¹⁾ | Max | Unit |
|------------------------|----------------------------------|---|-----|--------------------|-----|------|
| | | V _{DD} = V _{DDA} = 3.3 V, HXTAL = 8 MHz, CPU clock off, System clock = 24 MHz, All peripherals enabled | — | 3.4 | — | mA |
| | | V _{DD} = V _{DDA} = 3.3 V, HXTAL = 8 MHz, CPU clock off, System clock = 24 MHz, All peripherals disabled | — | 2.2 | — | mA |
| | | V _{DD} = V _{DDA} = 3.3 V, HXTAL = 8 MHz, CPU clock off, System clock = 16 MHz, All peripherals enabled | — | 2.8 | — | mA |
| | | V _{DD} = V _{DDA} = 3.3 V, HXTAL = 8 MHz, CPU clock off, System clock = 16 MHz, All peripherals disabled | — | 1.9 | — | mA |
| | | V _{DD} = V _{DDA} = 3.3 V, HXTAL = 8 MHz, CPU clock off, System clock = 8 MHz, All peripherals enabled | — | 2.0 | — | mA |
| | | V _{DD} = V _{DDA} = 3.3 V, HXTAL = 8 MHz, CPU clock off, System clock = 8 MHz, All peripherals disabled | — | 1.5 | — | mA |
| | | V _{DD} = V _{DDA} = 3.3 V, HXTAL = 4 MHz, CPU clock off, System clock = 4 MHz, All peripherals enabled | — | 0.5 | — | mA |
| | | V _{DD} = V _{DDA} = 3.3 V, HXTAL = 4 MHz, CPU clock off, System clock = 4 MHz, All peripherals disabled | — | 0.3 | — | mA |
| | | V _{DD} = V _{DDA} = 3.3 V, HXTAL = 2 MHz, CPU clock off, System clock = 2 MHz, All peripherals enabled | — | 0.3 | — | mA |
| | | V _{DD} = V _{DDA} = 3.3 V, HXTAL = 2 MHz, CPU clock off, System clock = 2 MHz, All peripherals disabled | — | 0.3 | — | mA |
| | Supply current (Deep-sleep mode) | V _{DD} = V _{DDA} = 3.3 V, LDO in normal power and normal driver mode, IRC40K off, RTC off | — | 32.3 | — | μA |
| | | V _{DD} = V _{DDA} = 3.3 V, LDO in normal power and low driver mode, IRC40K off, RTC off | — | 20.4 | 500 | μA |
| | Supply current (Standby mode) | V _{DD} = V _{DDA} = 3.3 V, LXTAL off, IRC40K on, RTC on | — | 4.7 | — | μA |
| | | V _{DD} = V _{DDA} = 3.3 V, LXTAL off, IRC40K on, RTC off | — | 4.5 | — | μA |
| | | V _{DD} = V _{DDA} = 3.3 V, LXTAL off, IRC40K off, RTC off, VDDA Monitor on | — | 4.0 | 11 | μA |
| | | V _{DD} = V _{DDA} = 3.3 V, LXTAL off, IRC40K off, RTC off, VDDA Monitor off | — | 2.5 | — | μA |
| I _{LXTAL+RTC} | | V _{DD} = V _{DDA} = 3.6 V, LXTAL on with external | — | 1.53 | — | μA |

| Symbol | Parameter | Conditions | Min | Typ ⁽¹⁾ | Max | Unit |
|--------|----------------------|---|-----|--------------------|-----|---------|
| | | crystal, RTC on, Higher driving | | | | |
| | LXTAL+RTC current | $V_{DD} = V_{DDA} = 3.3$ V, LXTAL on with external crystal, RTC on, Higher driving | — | 1.44 | — | μ A |
| | | $V_{DD} = V_{DDA} = 2.5$ V, LXTAL on with external crystal, RTC on, Higher driving | — | 1.28 | — | μ A |
| | | $V_{DD} = V_{DDA} = 1.8$ V, LXTAL on with external crystal, RTC on, Higher driving | — | 1.17 | — | μ A |
| | | $V_{DD} = V_{DDA} = 3.6$ V, LXTAL on with external crystal, RTC on, Medium High driving | — | 1.24 | — | μ A |
| | | $V_{DD} = V_{DDA} = 3.3$ V, LXTAL on with external crystal, RTC on, Medium High driving | — | 1.14 | — | μ A |
| | | $V_{DD} = V_{DDA} = 2.5$ V, LXTAL on with external crystal, RTC on, Medium High driving | — | 0.98 | — | μ A |
| | | $V_{DD} = V_{DDA} = 1.8$ V, LXTAL on with external crystal, RTC on, Medium High driving | — | 0.88 | — | μ A |
| | | $V_{DD} = V_{DDA} = 3.6$ V, LXTAL on with external crystal, RTC on, Medium Low driving | — | 0.95 | — | μ A |
| | | $V_{DD} = V_{DDA} = 3.3$ V, LXTAL on with external crystal, RTC on, Medium Low driving | — | 0.85 | — | μ A |
| | | $V_{DD} = V_{DDA} = 2.5$ V, LXTAL on with external crystal, RTC on, Medium Low driving | — | 0.69 | — | μ A |
| | | $V_{DD} = V_{DDA} = 1.8$ V, LXTAL on with external crystal, RTC on, Medium Low driving | — | 0.60 | — | μ A |
| | | $V_{DD} = V_{DDA} = 3.6$ V, LXTAL on with external crystal, RTC on, Low driving | — | 0.86 | — | μ A |
| | | $V_{DD} = V_{DDA} = 3.3$ V, LXTAL on with external crystal, RTC on, Low driving | — | 0.76 | — | μ A |
| | | $V_{DD} = V_{DDA} = 2.5$ V, LXTAL on with external crystal, RTC on, Low driving | — | 0.59 | — | μ A |
| | | $V_{DD} = V_{DDA} = 1.8$ V, LXTAL on with external crystal, RTC on, Low driving | — | 0.50 | — | μ A |

- (1) Based on characterization, not tested in production.
- (2) When System Clock is less than 4 MHz, an external source is used, and the HXTAL bypass function is needed, no PLL.
- (3) When System Clock is greater than 8 MHz, a crystal 8 MHz is used, and the HXTAL bypass function is closed, using PLL.
- (4) When analog peripheral blocks such as ADCs, HXTAL, LXTAL, IRC8M, or IRC40K are ON, an additional power consumption should be considered.
- (5) All GPIOs are configured as analog mode except standby mode.

Figure 4-2. Typical supply current consumption in Run mode

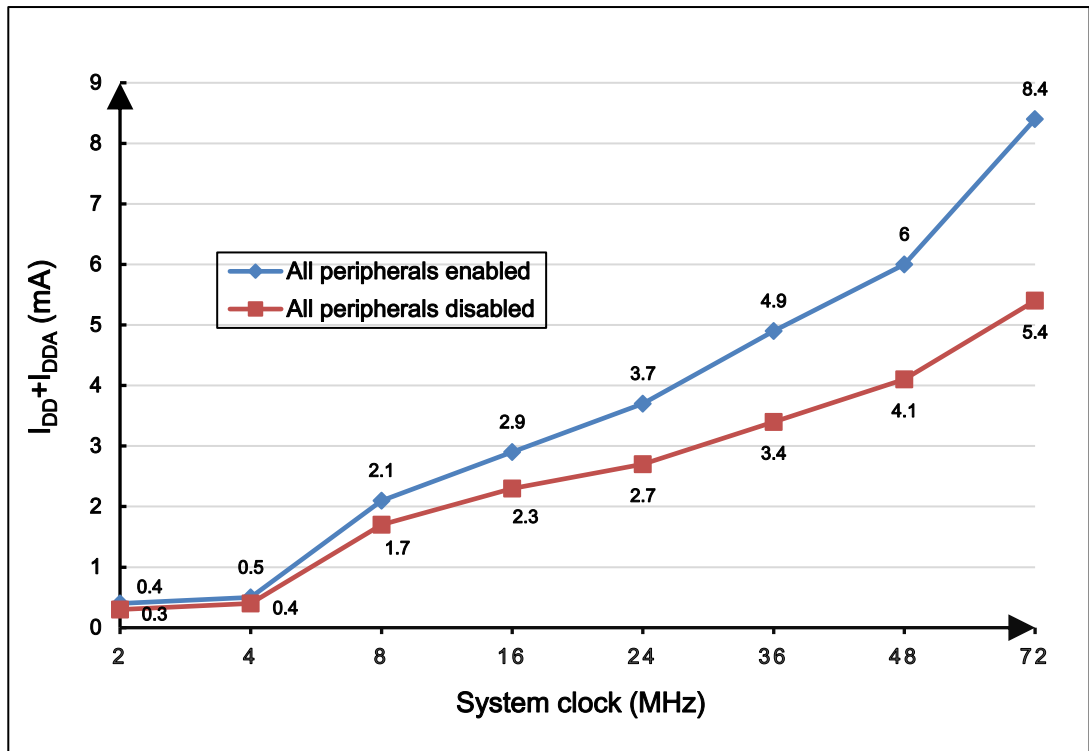
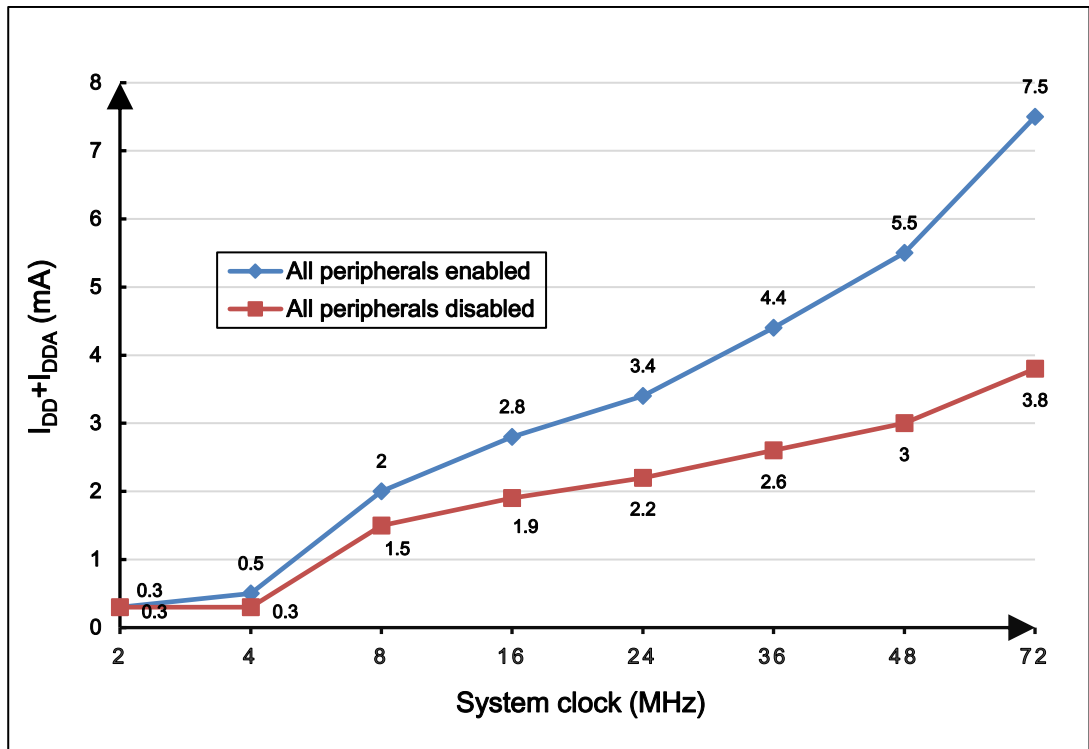


Figure 4-3. Typical supply current consumption in Sleep mode



4.4 EMC characteristics

System level ESD (Electrostatic discharge, according to IEC 61000-4-2) and EFT (Electrical Fast Transient/burst, according to IEC 61000-4-4) testing result is given in the [Table 4-8. System level ESD and EFT characteristics^{\(1\)}](#). System level ESD is for end-customer operation, it includes ESD field events on system level occur in an unprotected area (outside EPA). System level ESD protection necessary to satisfy higher ESD levels.

Table 4-8. System level ESD and EFT characteristics⁽¹⁾

| Symbol | Parameter | Conditions | Package | Class | Level |
|------------------|--|---|---------|------------------|-------|
| V _{ESD} | Contact / Air mode high voltage stressed on few special I/O pins | V _{DD} = 3.3 V, T _A = 25 °C, f _{HCLK} = 72 MHz conforms to IEC 61000-4-2 | LQFP48 | CD 6kV AD 8kV | 3A |
| V _{EFT} | Fast transient high voltage burst stressed on Power and GND | V _{DD} = 3.3 V, T _A = 25 °C, f _{HCLK} = 72 MHz conforms to IEC 61000-4-4 | LQFP48 | 2kV | 3A |

(1) Based on characterization, not tested in production.

EMI (Electromagnetic Interference) emission test result is given in the [Table 4-9. EMI characteristics^{\(1\)}](#), The electromagnetic field emitted by the device are monitored while an application, executing EEMBC code, is running. The test is compliant with SAE J1752-3:2017 standard which specifies the test board and the pin loading.

Table 4-9. EMI characteristics⁽¹⁾

| Symbol | Parameter | Conditions | Tested frequency band | Max vs. | Unit |
|------------------|------------|--|-----------------------|--|------|
| | | | | [f _{HXTAL} /f _{HCLK}] | |
| | | | | 8/72 MHz | |
| S _{EMI} | Peak level | V _{DD} = 3.6 V, T _A = +25 °C, LQFP48, f _{HCLK} = 72 MHz, conforms to SAE J1752-3:2017 | 0.15 MHz to 30 MHz | -1.59 | dBμV |
| | | | 30 MHz to 130 MHz | 4.55 | |
| | | | 130 MHz to 1 GHz | 8.02 | |

(1) Based on characterization, not tested in production.

Component level ESD include HBM (Human body model, according to ANSI/ESDA/JEDEC JS-001) and CDM (ANSI/ESDA/JEDEC JS-002), that ESD field events during manufacturing in an ESD protected area, such as PCB assembly/repair, IC assembly/test and Fab environment. The ESD protected area (EPA) has many measures, for instance ESD protective packaging, grounding person wrist strap to ground (or flooring/footwear), grounded work surface and ionizer.

Static latch-up (LU, according to JEDEC78) test is based on the two measurement methods, I/O current injection value (I-test) and power supply over-voltage value.

Table 4-10. Component level ESD and latch-up characteristics⁽¹⁾

| Symbol | Description | Conditions | Package | Max | Unit | Level |
|------------------|--|--|---------|------|------|---------------------|
| V _{HBM} | Human body model electrostatic discharge voltage (Any pin combination) | T _A = 25 °C; JS-001-2017 | LQFP48 | 2000 | V | 2 |
| V _{CDM} | Charge device model electrostatic discharge voltage (All pins) | T _A = 25 °C; JS-002-2018 | LQFP48 | 500 | V | C2a |
| LU | I-test | T _A = 125 °C, JESD78F | LQFP48 | 200 | mA | Class II Level A |
| | V _{supply} over voltage | | | 5.4 | V | |

(1) Value guaranteed by characterization, not 100% tested in production.

4.5 Power supply supervisor characteristics

Table 4-11. Power supply supervisor characteristics⁽¹⁾

| Symbol | Parameter | Conditions | Min | Typ | Max | Unit |
|--------------------------------------|--------------------------------|-------------------------------|-----|------|-----|------|
| V _{LVD} ⁽¹⁾ | Low Voltage Detector Threshold | LVDT[2:0] = 000, rising edge | — | 2.11 | — | V |
| | | LVDT[2:0] = 000, falling edge | — | 2.01 | — | V |
| | | LVDT[2:0] = 001, rising edge | — | 2.25 | — | V |
| | | LVDT[2:0] = 001, falling edge | — | 2.15 | — | V |
| | | LVDT[2:0] = 010, rising edge | — | 2.39 | — | V |
| | | LVDT[2:0] = 010, falling edge | — | 2.29 | — | V |
| | | LVDT[2:0] = 011, rising edge | — | 2.53 | — | V |
| | | LVDT[2:0] = 011, falling edge | — | 2.42 | — | V |
| | | LVDT[2:0] = 100, rising edge | — | 2.66 | — | V |
| | | LVDT[2:0] = 100, falling edge | — | 2.56 | — | V |
| | | LVDT[2:0] = 101, rising edge | — | 2.80 | — | V |
| | | LVDT[2:0] = 101, falling edge | — | 2.70 | — | V |
| | | LVDT[2:0] = 110, rising edge | — | 2.94 | — | V |
| | | LVDT[2:0] = 110, falling edge | — | 2.84 | — | V |
| LVDT[2:0] = 111, rising edge | — | 3.08 | — | V | | |
| LVDT[2:0] = 111, falling edge | — | 2.98 | — | V | | |
| V _{LVDhyst} ⁽²⁾ | LVD hysteresis | — | — | 100 | — | mV |
| V _{POR} ⁽¹⁾ | Power on reset threshold | — | — | 1.68 | — | V |
| V _{PDR} ⁽¹⁾ | Power down reset threshold | | — | 1.64 | — | V |
| V _{PDRhyst} ⁽²⁾ | PDR hysteresis | | — | 40 | — | mV |
| t _{RSTTEMPO} ⁽²⁾ | Reset temporization | | — | 2 | — | ms |

(1) Based on characterization, not tested in production.

(2) Guaranteed by design, not tested in production.

4.6 External clock characteristics

Table 4-12. High speed external clock (HXTAL) generated from a crystal/ceramic characteristics

| Symbol | Parameter | Conditions | Min | Typ | Max | Unit |
|--------------------------------------|--|---------------------------------|-----|-----|-----|------------|
| $f_{\text{HXTAL}}^{(1)}$ | Crystal or ceramic frequency | $V_{\text{DD}} = 3.3 \text{ V}$ | 4 | 8 | 32 | MHz |
| $R_{\text{F}}^{(2)}$ | Feedback resistor | $V_{\text{DD}} = 3.3 \text{ V}$ | — | 400 | — | k Ω |
| $C_{\text{HXTAL}}^{(2) (3)}$ | Recommended matching capacitance on OSCIN and OSCOUT | — | — | 20 | 30 | pF |
| $\text{Ducy}_{(\text{HXTAL})}^{(2)}$ | Crystal or ceramic duty cycle | — | 30 | 50 | 70 | % |
| $g_{\text{m}}^{(2)}$ | Oscillator transconductance | Startup | — | 25 | — | mA/V |
| $I_{\text{DD}(\text{HXTAL})}^{(1)}$ | Crystal or ceramic operating current | $V_{\text{DD}} = 3.3 \text{ V}$ | — | 1.2 | — | mA |
| $t_{\text{SUHXTAL}}^{(1)}$ | Crystal or ceramic startup time | $V_{\text{DD}} = 3.3 \text{ V}$ | — | 1.8 | — | ms |

(1) Based on characterization, not tested in production.

(2) Guaranteed by design, not tested in production.

(3) $C_{\text{HXTAL1}} = C_{\text{HXTAL2}} = 2 * (C_{\text{LOAD}} - C_{\text{S}})$, For C_{HXTAL1} and C_{HXTAL2} , it is recommended matching capacitance on OSCIN and OSCOUT. For C_{LOAD} , it is crystal/ceramic load capacitance, provided by the crystal or ceramic manufacturer. For C_{S} , it is PCB and MCU pin stray capacitance.

Table 4-13. High speed external user clock characteristics (HXTAL in bypass mode)

| Symbol | Parameter | Conditions | Min | Typ | Max | Unit |
|--------------------------------------|---|---------------------------------|---------------------|-----|---------------------|------|
| $f_{\text{HXTAL_ext}}^{(1)}$ | External clock source or oscillator frequency | $V_{\text{DD}} = 3.3 \text{ V}$ | 1 | 8 | 50 | MHz |
| $V_{\text{HXTALH}}^{(2)}$ | OSCIN input pin high level voltage | $V_{\text{DD}} = 3.3 \text{ V}$ | 0.7 V_{DD} | — | V_{DD} | V |
| $V_{\text{HXTALL}}^{(2)}$ | OSCIN input pin low level voltage | | V_{SS} | — | 0.3 V_{DD} | |
| $t_{\text{H/L}(\text{HXTAL})}^{(2)}$ | OSCIN high or low time | — | 5 | — | — | ns |
| $t_{\text{R/F}(\text{HXTAL})}^{(2)}$ | OSCIN rise or fall time | — | — | — | 10 | |
| $C_{\text{IN}}^{(2)}$ | OSCIN input capacitance | — | — | 5 | — | pF |
| $\text{Ducy}_{(\text{HXTAL})}^{(2)}$ | Duty cycle | — | 30 | 50 | 70 | % |

(1) Based on characterization, not tested in production.

(2) Guaranteed by design, not tested in production.

Table 4-14. Low speed external clock (LXTAL) generated from a crystal/ceramic characteristics

| Symbol | Parameter | Conditions | Min | Typ | Max | Unit |
|------------------------|--|--------------------------------|-----|--------|-----|-----------------|
| $f_{LXTAL}^{(1)}$ | Crystal or ceramic frequency | $V_{DD} = 3.3\text{ V}$ | — | 32.768 | — | kHz |
| $C_{LXTAL}^{(2)(3)}$ | Recommended matching capacitance on OSC32IN and OSC32OUT | — | — | 10 | — | pF |
| $Ducy_{(LXTAL)}^{(2)}$ | Crystal or ceramic duty cycle | — | 30 | — | 70 | % |
| $g_m^{(2)}$ | Oscillator transconductance | Lower driving capability | — | 4 | — | $\mu\text{A/V}$ |
| | | Medium low driving capability | — | 6 | — | |
| | | Medium high driving capability | — | 12 | — | |
| | | Higher driving capability | — | 18 | — | |
| $I_{DDLXTAL}^{(1)}$ | Crystal or ceramic operating current | Lower driving capability | — | 0.5 | — | μA |
| | | Medium low driving capability | — | 0.6 | — | |
| | | Medium high driving capability | — | 0.9 | — | |
| | | Higher driving capability | — | 1.2 | — | |
| $t_{SULXTAL}^{(2)(4)}$ | Crystal or ceramic startup time | $V_{DD} = 3.3\text{ V}$ | — | 0.6 | — | s |

(1) Based on characterization, not tested in production.

(2) Guaranteed by design, not tested in production.

(3) $C_{LXTAL1} = C_{LXTAL2} = 2 * (C_{LOAD} - C_S)$, For C_{LXTAL1} and C_{LXTAL2} , it is recommended matching capacitance on OSC32IN and OSC32OUT. For C_{LOAD} , it is crystal/ceramic load capacitance, provided by the crystal or ceramic manufacturer. For C_S , it is PCB and MCU pin stray capacitance.

(4) $t_{SULXTAL}$ is the startup time measured from the moment it is enabled (by software) to the 32.768 kHz oscillator stabilization flags is SET. This value varies significantly with the crystal manufacturer.

Table 4-15. Low speed external user clock characteristics (LXTAL in bypass mode)

| Symbol | Parameter | Conditions | Min | Typ | Max | Unit |
|------------------------|---|-------------------------|--------------|--------|--------------|------|
| $f_{LXTAL_ext}^{(1)}$ | External clock source or oscillator frequency | $V_{DD} = 3.3\text{ V}$ | — | 32.768 | 1000 | kHz |
| $V_{LXTALH}^{(2)}$ | OSC32IN input pin high level voltage | $V_{DD} = 3.3\text{ V}$ | 0.7 V_{DD} | — | V_{DD} | V |
| $V_{LXTALL}^{(2)}$ | OSC32IN input pin low level voltage | | V_{SS} | — | 0.3 V_{DD} | |
| $t_{H/L(LXTAL)}^{(2)}$ | OSC32IN high or low time | — | 450 | — | — | ns |
| $t_{R/F(LXTAL)}^{(2)}$ | OSC32IN rise or fall time | — | — | — | 50 | |
| $C_{IN}^{(2)}$ | OSC32IN input capacitance | — | — | 5 | — | pF |
| $Ducy_{(LXTAL)}^{(2)}$ | Duty cycle | — | 30 | 50 | 70 | % |

- (1) Based on characterization, not tested in production.
(2) Guaranteed by design, not tested in production.

4.7 Internal clock characteristics

Table 4-16. High speed internal clock (IRC8M) characteristics

| Symbol | Parameter | Conditions | Min | Typ | Max | Unit |
|------------------------------|---|---|-------------------|----------------------------|------------------|---------------|
| f_{IRC8M} | High Speed Internal Oscillator (IRC8M) frequency | $V_{DD} = V_{DDA} = 3.3\text{ V}$ | — | 8 | — | MHz |
| ACC_{IRC8M} | IRC8M oscillator Frequency accuracy, Factory-trimmed | $V_{DD} = V_{DDA} = 3.3\text{ V}$, $T_A = -40\text{ °C} \sim +85\text{ °C}$ for grade 6 devices | -2 ⁽¹⁾ | -0.6 to 0.3 ⁽²⁾ | 2 ⁽¹⁾ | % |
| | | $V_{DD} = V_{DDA} = 3.3\text{ V}$, $T_A = -40\text{ °C} \sim +105\text{ °C}$ for grade 7 device | -2 ⁽¹⁾ | -0.7 to 0.3 ⁽²⁾ | 2 ⁽¹⁾ | |
| | | $V_{DD} = V_{DDA} = 3.3\text{ V}$, $T_A = 25\text{ °C}$ | -1.0 | — | +1.0 | |
| | IRC8M oscillator Frequency accuracy, User trimming step | — | — | 0.5 | — | % |
| D_{IRC8M} ⁽²⁾ | IRC8M oscillator duty cycle | $V_{DD} = V_{DDA} = 3.3\text{ V}$ | 45 | 50 | 55 | % |
| $I_{DDIRC8M}$ ⁽¹⁾ | IRC8M oscillator operating current | $V_{DD} = V_{DDA} = 3.3\text{ V}$, $f_{IRC8M} = 8\text{ MHz}$ | — | 43 | — | μA |
| $t_{SUIRC8M}$ ⁽¹⁾ | IRC8M oscillator startup time | $V_{DD} = V_{DDA} = 3.3\text{ V}$, $f_{IRC8M} = 8\text{ MHz}$ | — | 1.6 | — | μs |

- (1) Based on characterization, not tested in production.
(2) Guaranteed by design, not tested in production.

Table 4-17. Low speed internal clock (IRC40K) characteristics

| Symbol | Parameter | Conditions | Min | Typ | Max | Unit |
|-------------------------------|--|-----------------------------------|-----|------|-----|---------------|
| f_{IRC40K} ⁽¹⁾ | Low Speed Internal oscillator (IRC40K) frequency | $V_{DD} = V_{DDA} = 3.3\text{ V}$ | — | 40 | — | kHz |
| $I_{DDIRC40K}$ ⁽²⁾ | IRC40K oscillator operating current | $V_{DD} = V_{DDA} = 3.3\text{ V}$ | — | 0.39 | — | μA |
| $t_{SUIRC40K}$ ⁽²⁾ | IRC40K oscillator startup time | $V_{DD} = V_{DDA} = 3.3\text{ V}$ | — | 24 | — | μs |

- (1) Guaranteed by design, not tested in production.
(2) Based on characterization, not tested in production.

Table 4-18. High speed internal clock (IRC28M) characteristics

| Symbol | Parameter | Conditions | Min | Typ | Max | Unit |
|-----------------------|--|---|------|-----------------------------|------|---------------|
| f_{IRC28M} | High Speed Internal Oscillator (IRC28M) frequency | $V_{DD} = V_{DDA} = 3.3\text{ V}$ | — | 28 | — | MHz |
| ACC_{IRC28M} | IRC28M oscillator Frequency accuracy, Factory-trimmed | $V_{DD} = V_{DDA} = 3.3\text{ V}$, $T_A = -40\text{ °C} \sim +85\text{ °C}$ for grade 6 devices | — | -0.2 to 0.04 ⁽²⁾ | — | % |
| | | $V_{DD} = V_{DDA} = 3.3\text{ V}$, $T_A = -40\text{ °C} \sim +105\text{ °C}$ for grade 7 device | — | -0.2 to 0.04 ⁽²⁾ | — | |
| | | $V_{DD} = V_{DDA} = 3.3\text{ V}$, $T_A = 25\text{ °C}$ | -2.0 | — | +2.0 | |
| | IRC28M oscillator Frequency accuracy, User trimming step | — | — | 1 | — | % |
| $D_{IRC28M}^{(2)}$ | IRC28M oscillator duty cycle | $V_{DD} = V_{DDA} = 3.3\text{ V}$ | 45 | 50 | 55 | % |
| $I_{DDAIRC28M}^{(1)}$ | IRC28M oscillator operating current | $V_{DD} = V_{DDA} = 3.3\text{ V}$, $f_{IRC28M} = 28\text{ MHz}$ | — | 110 | — | μA |
| $t_{SUIRC28M}^{(1)}$ | IRC28M oscillator startup time | $V_{DD} = V_{DDA} = 3.3\text{ V}$, $f_{IRC28M} = 28\text{ MHz}$ | — | 1.5 | — | μs |

(1) Based on characterization, not tested in production.

(2) Guaranteed by design, not tested in production.

4.8 PLL characteristics

Table 4-19. PLL characteristics

| Symbol | Parameter | Conditions | Min | Typ | Max | Unit |
|--------------------------------------|----------------------------------|-------------------|-----|-----|-----|---------------|
| $f_{PLLIN}^{(1)}$ | PLL input clock frequency | — | 1 | — | 25 | MHz |
| $f_{PLLOUT}^{(2)}$ | PLL output clock frequency | — | 16 | — | 72 | MHz |
| $f_{VCO}^{(2)}$ | PLL VCO output clock frequency | — | — | — | 72 | MHz |
| $t_{LOCK}^{(2)}$ | PLL lock time | — | — | — | 300 | μs |
| $I_{DD}^{(1)}$ | Current consumption on V_{DD} | VCO freq = 72 MHz | — | 102 | — | μA |
| $I_{DDA}^{(1)}$ | Current consumption on V_{DDA} | VCO freq = 72 MHz | — | 370 | — | μA |
| Jitter _{PLL} ⁽³⁾ | Cycle to cycle Jitter (rms) | System clock | — | 159 | — | ps |

(1) Based on characterization, not tested in production.

(2) Guaranteed by design, not tested in production.

(3) Value given with main PLL running.

4.9 Memory characteristics

Table 4-20. Flash memory characteristics

| Symbol | Parameter | Conditions | Min | Typ | Max | Unit |
|------------------------------------|---|-------------------------------------|-----|-----|-----|---------|
| PE _{CYC} ⁽¹⁾ | Number of guaranteed program /erase cycles before failure (Endurance) | — | 100 | — | — | kcycles |
| t _{RET} ⁽¹⁾ | Data retention time | — | 10 | — | — | years |
| t _{PROG} ⁽²⁾ | Word programming time | T _A range ⁽³⁾ | 197 | 197 | 197 | μs |
| t _{ERASE} ⁽²⁾ | Page erase time | | 5 | 5 | 5 | ms |
| t _{MERASE} ⁽²⁾ | Mass erase time | | 35 | 35 | 35 | ms |

(1) Based on characterization, not tested in production.

(2) Guaranteed by design, not tested in production.

(3) For grade 6 devices, T_A range= -40°C ~ +85°C. For grade 7 device, T_A range= -40°C ~ +105°C.

4.10 NRST pin characteristics

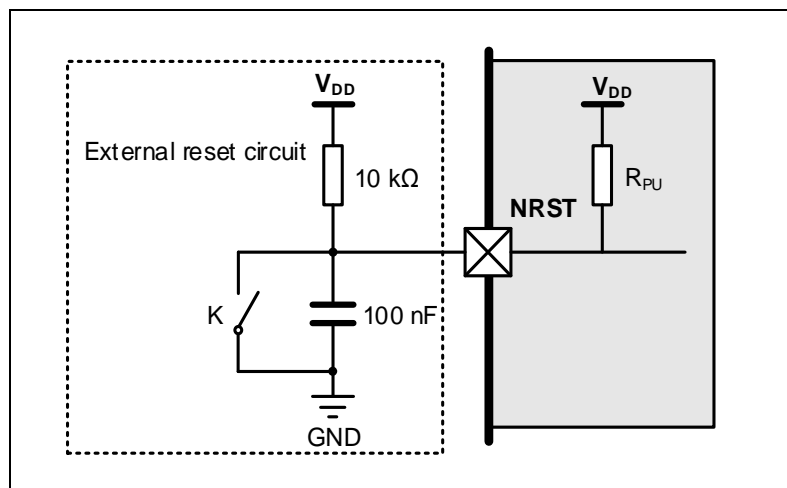
Table 4-21. NRST pin characteristics

| Symbol | Parameter | Conditions | Min | Typ | Max | Unit |
|--------------------------------------|------------------------------------|--|----------------------|-----|-----------------------|------|
| V _{IL(NRST)} ⁽¹⁾ | NRST Input low level voltage | 1.8 V ≤ V _{DD} = V _{DDA} ≤ 3.6 V | -0.3 | — | 0.35 V _{DD} | V |
| V _{IH(NRST)} ⁽¹⁾ | NRST Input high level voltage | | 0.65 V _{DD} | — | V _{DD} + 0.3 | |
| V _{hyst} ⁽¹⁾ | Schmidt trigger Voltage hysteresis | | — | 300 | — | mV |
| R _{pu} ⁽²⁾ | Pull-up equivalent resistor | — | — | 40 | — | kΩ |

(1) Based on characterization, not tested in production.

(2) Guaranteed by design, not tested in production.

Figure 4-4. Recommended external NRST pin circuit



(1) Unless the voltage on NRST pin go below V_{IL(NRST)} level, the device would not generate a reliable reset.

4.11 GPIO characteristics

Table 4-22. I/O port DC characteristics⁽¹⁾⁽³⁾

| Symbol | Parameter | Conditions | Min | Typ | Max | Unit |
|--------------------------------|--|--|--------------|------|--------------|------|
| V _{IL} | Standard IO Low level input voltage | $1.8\text{ V} \leq V_{DD} = V_{DDA} \leq 3.6\text{ V}$ | — | — | $0.3 V_{DD}$ | V |
| | 5V-tolerant IO Low level input voltage | $1.8\text{ V} \leq V_{DD} = V_{DDA} \leq 3.6\text{ V}$ | — | — | $0.3 V_{DD}$ | V |
| V _{IH} | Standard IO High level input voltage | $1.8\text{ V} \leq V_{DD} = V_{DDA} \leq 3.6\text{ V}$ | $0.7 V_{DD}$ | — | — | V |
| | 5 V-tolerant IO High level input voltage | $1.8\text{ V} \leq V_{DD} = V_{DDA} \leq 3.6\text{ V}$ | $0.7 V_{DD}$ | — | — | V |
| V _{OL} | Low level output voltage for an IO Pin ($I_{IO} = +8\text{ mA}$) | $V_{DD} = 1.8\text{ V}$ | — | 0.25 | — | V |
| | | $V_{DD} = 2.5\text{ V}$ | — | 0.18 | — | |
| | | $V_{DD} = 3.3\text{ V}$ | — | 0.15 | — | |
| | | $V_{DD} = 3.6\text{ V}$ | — | 0.15 | — | |
| V _{OL} | Low level output voltage for an IO Pin ($I_{IO} = +20\text{ mA}$) | $V_{DD} = 1.8\text{ V}$ | — | 1.15 | — | V |
| | | $V_{DD} = 2.5\text{ V}$ | — | 0.47 | — | |
| | | $V_{DD} = 3.3\text{ V}$ | — | 0.40 | — | |
| | | $V_{DD} = 3.6\text{ V}$ | — | 0.38 | — | |
| V _{OH} | High level output voltage for an IO Pin ($I_{IO} = +8\text{ mA}$) | $V_{DD} = 1.8\text{ V}$ | — | 1.51 | — | V |
| | | $V_{DD} = 2.5\text{ V}$ | — | 2.29 | — | |
| | | $V_{DD} = 3.3\text{ V}$ | — | 3.13 | — | |
| | | $V_{DD} = 3.6\text{ V}$ | — | 3.46 | — | |
| V _{OH} | High level output voltage for an IO Pin ($I_{IO} = +20\text{ mA}$) | $V_{DD} = 1.8\text{ V}$ | — | 0.95 | — | V |
| | | $V_{DD} = 2.5\text{ V}$ | — | 1.92 | — | |
| | | $V_{DD} = 3.3\text{ V}$ | — | 2.83 | — | |
| | | $V_{DD} = 3.6\text{ V}$ | — | 3.18 | — | |
| R _{PU} ⁽²⁾ | Internal pull-up resistor | — | — | 40 | — | kΩ |
| R _{PD} ⁽²⁾ | Internal pull-down resistor | — | — | 40 | — | kΩ |

(1) Based on characterization, not tested in production.

(2) Guaranteed by design, not tested in production.

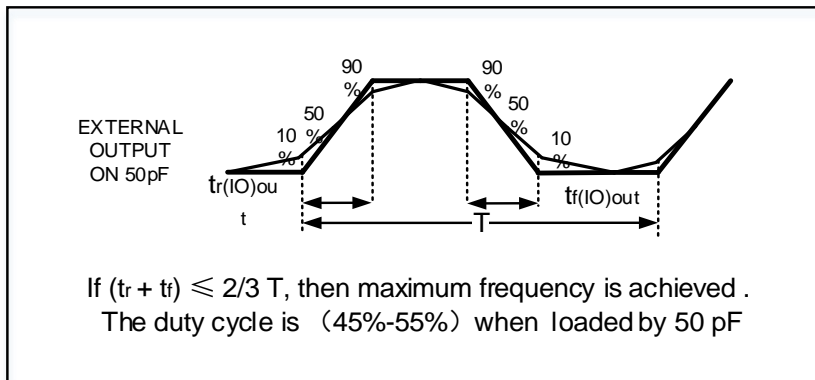
(3) All pins except PC13 / PC14 / PC15. Since PC13 to PC15 are supplied through the Power Switch, which can only be obtained by a small current(typical source capability:3 mA shared between these IOs, but sink capability is same as other IO.), the speed of GPIOs PC13 to PC15 should not exceed 2 MHz when they are in output mode(maximum load: 30 pF).

Table 4-23. I/O port AC characteristics⁽¹⁾⁽²⁾

| GPIOx_OSPD[1:0] bit value ⁽³⁾ | Parameter | Conditions | Max | Unit |
|---|----------------------------------|---|-----|------|
| GPIOx_OSPD0->OSPDy[1:0] = X0 (IO_Speed = 2 MHz) | Maximum frequency ⁽⁴⁾ | $1.8 \leq V_{DD} \leq 3.6\text{ V}, C_L = 10\text{ pF}$ | 8 | MHz |
| | | $1.8 \leq V_{DD} \leq 3.6\text{ V}, C_L = 30\text{ pF}$ | 6 | |
| | | $1.8 \leq V_{DD} \leq 3.6\text{ V}, C_L = 50\text{ pF}$ | 6 | |
| GPIOx_OSPD0->OSPDy[1:0] = 01 (IO_Speed = 10 MHz) | Maximum frequency ⁽⁴⁾ | $1.8 \leq V_{DD} \leq 3.6\text{ V}, C_L = 10\text{ pF}$ | 30 | MHz |
| | | $1.8 \leq V_{DD} \leq 3.6\text{ V}, C_L = 30\text{ pF}$ | 26 | |

| GPIOx_OSPD[1:0] bit value ⁽³⁾ | Parameter | Conditions | Max | Unit |
|---|----------------------------------|--|-----|------|
| | | $1.8 \leq V_{DD} \leq 3.6 \text{ V}$, $C_L = 50 \text{ pF}$ | 23 | |
| GPIOx_OSPD0->OSPDy[1:0] = 11 (IO_Speed = 50 MHz) | Maximum frequency ⁽⁴⁾ | $1.8 \leq V_{DD} \leq 3.6 \text{ V}$, $C_L = 10 \text{ pF}$ | 72 | MHz |
| | | $1.8 \leq V_{DD} \leq 3.6 \text{ V}$, $C_L = 30 \text{ pF}$ | 72 | |
| | | $1.8 \leq V_{DD} \leq 3.6 \text{ V}$, $C_L = 50 \text{ pF}$ | 72 | |

- (1) Based on characterization, not tested in production.
- (2) Unless otherwise specified, all test results given for $T_A = 25 \text{ }^\circ\text{C}$.
- (3) The I/O speed is configured using the GPIOx_OSPDy [1:0] bits. Refer to the GD32E23x user manual which is selected to set the GPIO port output speed.
- (4) The maximum frequency is defined in Figure 4-5, and maximum frequency cannot exceed 72 MHz.

Figure 4-5. I/O port AC characteristics definition


4.12 ADC characteristics

Table 4-24. ADC characteristics

| Symbol | Parameter | Conditions | Min | Typ | Max | Unit |
|------------------|--|---------------------------------|-------|------|-----------|-----------------|
| $V_{DDA}^{(1)}$ | Operating voltage | — | 1.8 | 3.3 | 3.6 | V |
| $V_{IN}^{(1)}$ | ADC input voltage range | — | 0 | — | V_{DDA} | V |
| $f_{ADC}^{(1)}$ | ADC clock | — | 0.1 | — | 28 | MHz |
| $f_s^{(1)}$ | Sampling rate | 12-bit | 0.007 | — | 2 | MSP |
| | | 10-bit | 0.008 | — | 2.3 | |
| | | 8-bit | 0.01 | — | 2.8 | S |
| | | 6-bit | 0.011 | — | 3.5 | |
| $V_{AIN}^{(1)}$ | Analog input voltage | 10 external; 2 internal | 0 | — | V_{DDA} | V |
| $R_{AIN}^{(2)}$ | External input impedance | See Equation 1 | — | — | 127.24 | k Ω |
| $R_{ADC}^{(2)}$ | Input sampling switch resistance | — | — | — | 0.5 | k Ω |
| $C_{ADC}^{(2)}$ | Input sampling capacitance | No pin/pad capacitance included | — | — | 6.9 | pF |
| $t_{CAL}^{(2)}$ | Calibration time | $f_{ADC} = 28 \text{ MHz}$ | — | 4.68 | — | μs |
| $t_s^{(2)}$ | Sampling time | $f_{ADC} = 28 \text{ MHz}$ | 0.05 | — | 8.55 | μs |
| $t_{CONV}^{(2)}$ | Total conversion time(including sampling | 12-bit | — | 14 | — | 1/ f_{ADC} |
| | | 10-bit | — | 12 | — | |

| Symbol | Parameter | Conditions | Min | Typ | Max | Unit |
|--------------------------------|--------------|------------|-----|-----|-----|------|
| | time) | 8-bit | — | 10 | — | |
| | | 6-bit | — | 8 | — | |
| t _{SU} ⁽²⁾ | Startup time | — | — | — | 1 | μs |

(1) Based on characterization, not tested in production.

(2) Guaranteed by design, not tested in production.

Equation 1: R_{AIN} max formula $R_{AIN} < \frac{T_s}{f_{ADC} * C_{ADC} * \ln(2^{N+2})} - R_{ADC}$

The formula above (Equation 1) is used to determine the maximum external impedance allowed for an error below 1/4 of LSB. Here N = 12 (from 12-bit resolution).

Table 4-25. Internal reference voltage calibration values

| Symbol | Test conditions | Memory address |
|------------------------------------|--|---------------------------|
| V _{REFINT} ⁽¹⁾ | V _{DD} = V _{DDA} = V _{REFP} = 3.3 V (± 2 mV), T _A = 25 °C (± 5 °C) | 0x1FFF F7C0 - 0x1FFF F7C1 |

(1) V_{REFINT} is internally connected to the ADC_IN17 input channel.

(2) Low bit data is placed at the low bit address, and high bit data is placed at the high bit address.

Table 4-26. ADC R_{AIN} max for f_{ADC} = 28 MHz⁽¹⁾⁽²⁾

| T _s (cycles) | t _s (μs) | R _{AIN} max (kΩ) |
|-------------------------|---------------------|---------------------------|
| 1.5 | 0.05 | 0.30 |
| 7.5 | 0.27 | 3.50 |
| 13.5 | 0.48 | 6.70 |
| 28.5 | 1.02 | 14.70 |
| 41.5 | 1.48 | 21.60 |
| 55.5 | 1.98 | 29.10 |
| 71.5 | 2.55 | 37.60 |
| 239.5 | 8.55 | 127.24 |

(1) Based on characterization, not tested in production.

(2) The R_{AIN} value was calculate by theory and stray capacitance of actual PCB has not been taken into account.

Table 4-27. ADC dynamic accuracy at f_{ADC} = 28 MHz⁽¹⁾

| Symbol | Parameter | Test conditions | Min | Typ | Max | Unit |
|--------|--------------------------------------|--|-----|-------|-----|------|
| ENOB | Effective number of bits | f _{ADC} = 28 MHz | — | 10.8 | — | bits |
| SNDR | Signal-to-noise and distortion ratio | V _{DDA} = V _{REFP} = 3.3 V | — | 66.81 | — | |
| SNR | Signal-to-noise ratio | Input Frequency = 20 kHz | — | 66.88 | — | |
| THD | Total harmonic distortion | Temperature = 25°C | — | -80 | — | |

(1) Based on characterization, not tested in production.

Table 4-28. ADC static accuracy at f_{ADC} = 28 MHz⁽¹⁾

| Symbol | Parameter | Test conditions | Typ | Max | Unit |
|--------|------------------------------|---|------|-----|------|
| Offset | Offset error | f _{ADC} = 28 MHz V _{DDA} = V _{REFP} = 3.3 V | ±1 | — | LSB |
| DNL | Differential linearity error | | ±1 | — | |
| INL | Integral linearity error | | ±1.5 | — | |

(1) Based on characterization, not tested in production.

4.13 Temperature sensor characteristics

Table 4-29. Temperature sensor characteristics

| Symbol | Parameter | Min | Typ | Max | Unit |
|--------------------------|--|-----|-----------|-----|------------------------|
| $T_L^{(1)}$ | VSENSE linearity with temperature | — | ± 1.5 | — | $^{\circ}\text{C}$ |
| Avg_Slope ⁽¹⁾ | Average slope | — | 4.33 | — | mV/ $^{\circ}\text{C}$ |
| $V_{25}^{(1)}$ | Voltage at 25 $^{\circ}\text{C}$ | — | 1.44 | — | V |
| $t_{S_temp}^{(2)}$ | ADC sampling time when reading the temperature | — | 17.1 | — | μs |

(1) Based on characterization, not tested in production.

(2) Shortest sampling time can be determined in the application by multiple iterations.

Table 4-30. Temperature sensor calibration values

| Symbol | Parameter | Memory address |
|--------|---|---------------------------|
| TS_CAL | Temperature sensor raw data acquired value at 25 $^{\circ}\text{C}$ (± 5 $^{\circ}\text{C}$), $V_{DD} = V_{DDA} = V_{REFP} = 3.3\text{V}$ (± 2 mV) | 0x1FFF F7C4 - 0x1FFF F7C5 |

(1) Low bit data is placed at the low bit address, and high bit data is placed at the high bit address.

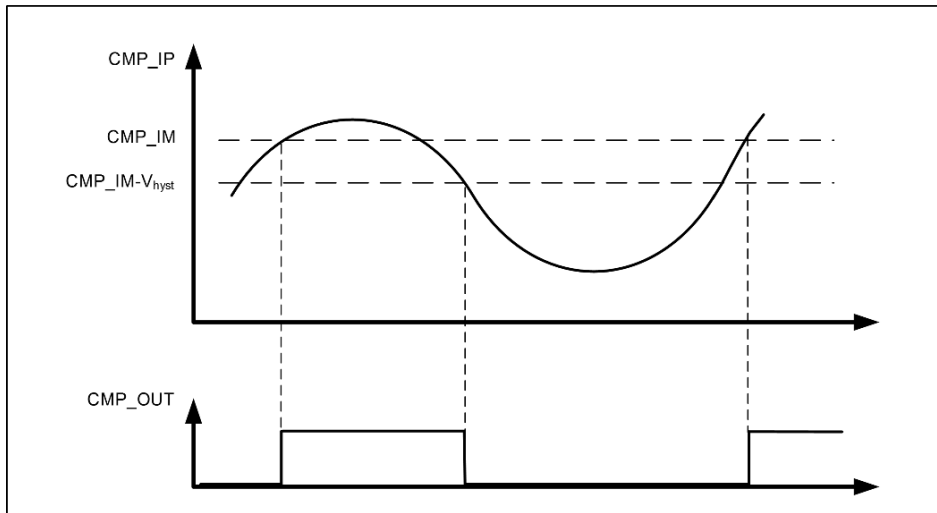
4.14 Comparators characteristics

Table 4-31. CMP characteristics⁽¹⁾

| Symbol | Parameter | Conditions | Min | Typ | Max | Unit |
|--------------|---|-----------------------|-----|---------|-----------|---------------|
| V_{DDA} | Operating voltage | — | 1.8 | 3.3 | 3.6 | V |
| V_{IN} | Input voltage range | — | 0 | — | V_{DDA} | V |
| V_{BG} | Scaler input voltage | — | — | 1.2 | — | V |
| V_{SC} | Scaler offset voltage | — | — | — | — | mV |
| t_D | Propagation delay for 200 mV step with 100 mV overdrive | Ultra low power mode | — | 383 | — | ns |
| | | Low power mode | — | 214 | — | ns |
| | | Medium power mode | — | 89 | — | ns |
| | | High speed power mode | — | 28 | — | ns |
| | Propagation delay for full range step with 100 mV overdrive | Ultra low power mode | — | 614 | — | ns |
| | | Low power mode | — | 343 | — | ns |
| | | Medium power mode | — | 133 | — | ns |
| | | High speed power mode | — | 37 | — | ns |
| I_{DD} | Current consumption | Ultra low power mode | — | 1.7 | — | μA |
| | | Low power mode | — | 2.8 | — | |
| | | Medium power mode | — | 7.9 | — | |
| | | High speed power mode | — | 48.9 | — | |
| V_{offset} | Offset error | — | — | ± 4 | — | mV |
| V_{hyst} | Hysteresis Voltage | No Hysteresis | — | 0 | — | mV |
| | | Low Hysteresis | — | 13 | — | |
| | | Medium Hysteresis | — | 28 | — | |

(1) Based on characterization, not tested in production.

Figure 4-6. CMP hysteresis



4.15 TIMER characteristics

Table 4-32. TIMER characteristics⁽¹⁾

| Symbol | Parameter | Conditions | Min | Max | Unit |
|------------------------|---|---------------------------------|--------|---------------------------|------------------------|
| t _{res} | Timer resolution time | — | 1 | — | t _{TIMERxCLK} |
| | | f _{TIMERxCLK} = 72 MHz | 13.9 | — | ns |
| f _{EXT} | Timer external clock frequency | — | 0 | f _{TIMERxCLK} /2 | MHz |
| | | f _{TIMERxCLK} = 72 MHz | 0 | 36 | MHz |
| RES | Timer resolution | — | — | 16 | bit |
| t _{COUNTER} | 16-bit counter clock period when internal clock is selected | — | 1 | 65536 | t _{TIMERxCLK} |
| | | f _{TIMERxCLK} = 72 MHz | 0.0139 | 910 | µs |
| t _{MAX_COUNT} | Maximum possible count | — | — | 65536 × 65536 | t _{TIMERxCLK} |
| | | f _{TIMERxCLK} = 72 MHz | — | 59.6 | s |

(1) Guaranteed by design, not tested in production.

4.16 I2C characteristics

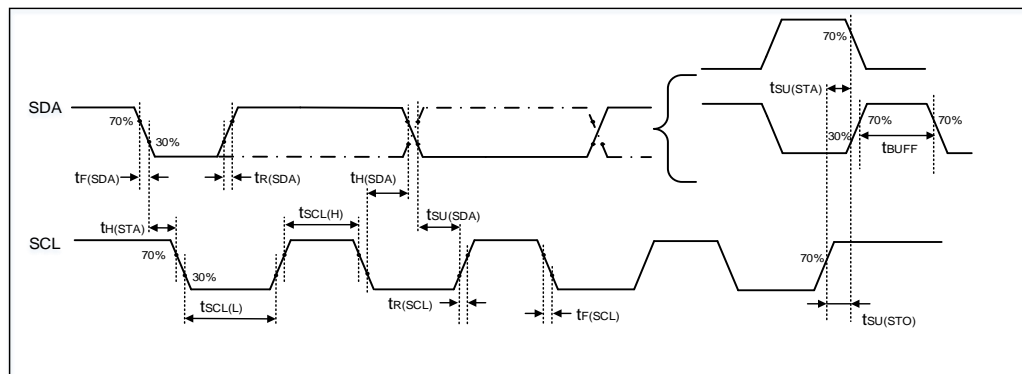
Table 4-33. I2C characteristics⁽¹⁾⁽²⁾

| Symbol | Parameter | Condi- tions | Standard mode | | Fast mode | | Fast mode plus | | Unit |
|------------------|---|-----------------|------------------|------|-----------|-----|-------------------|-----|---------------|
| | | | Min | Max | Min | Max | Min | Max | |
| $t_{SCL(H)}$ | SCL clock high time | — | 4.0 | — | 0.6 | — | 0.2 | — | μs |
| $t_{SCL(L)}$ | SCL clock low time | — | 4.7 | — | 1.3 | — | 0.5 | — | μs |
| $t_{SU(SDA)}$ | SDA setup time | — | 250 | — | 100 | — | 50 | — | ns |
| $t_{H(SDA)}$ | SDA data hold time | — | 0 ⁽³⁾ | 3450 | 0 | 900 | 0 | 450 | ns |
| $t_{R(SDA/SCL)}$ | SDA and SCL rise time | — | — | 1000 | — | 300 | — | 120 | ns |
| $t_{F(SDA/SCL)}$ | SDA and SCL fall time | — | — | 300 | — | 300 | — | 120 | ns |
| $t_{H(STA)}$ | Start condition hold time | — | 4.0 | — | 0.6 | — | 0.26 | — | μs |
| $t_{SU(STA)}$ | Repeated Start condition setup time | — | 4.7 | — | 0.6 | — | 0.26 | — | μs |
| $t_{SU(STO)}$ | Stop condition setup time | — | 4.0 | — | 0.6 | — | 0.26 | — | μs |
| t_{BUFF} | Stop to Start condition time (bus free) | — | 4.7 | — | 1.3 | — | 0.5 | — | μs |

(1) Guaranteed by design, not tested in production.

(2) To ensure the standard mode I2C frequency, f_{PCLK1} must be at least 2 MHz, To ensure the fast mode I2C frequency, f_{PCLK1} must be at least 4 MHz. To ensure the fast mode plus I2C frequency, f_{PCLK1} must be at least a multiple of 10 MHz.

(3) The device should provide a data hold time of 300 ns at least in order to bridge the undefined region of the falling edge of SCL.

Figure 4-7. I2C bus timing diagram


4.17 SPI characteristics

Table 4-34. Standard SPI characteristics⁽¹⁾

| Symbol | Parameter | Conditions | Min | Typ | Max | Unit |
|------------------------|--------------------------|---|-----|-----|-----|------|
| f_{SCK} | SCK clock frequency | — | — | — | 18 | MHz |
| $t_{SCK(H)}$ | SCK clock high time | Master mode, $f_{PCLKx} = 72$ MHz, presc = 4 | 25 | 27 | 29 | ns |
| $t_{SCK(L)}$ | SCK clock low time | Master mode, $f_{PCLKx} = 72$ MHz, presc = 4 | 25 | 27 | 29 | ns |
| SPI master mode | | | | | | |
| $t_{V(MO)}$ | Data output valid time | — | — | — | 2 | ns |
| $t_{SU(MI)}$ | Data input setup time | — | 5 | — | — | ns |
| $t_{H(MI)}$ | Data input hold time | — | 5 | — | — | ns |
| SPI slave mode | | | | | | |
| $t_{SU(NSS)}$ | NSS enable setup time | — | 0 | — | — | ns |
| $t_{H(NSS)}$ | NSS enable hold time | — | 1 | — | — | ns |
| $t_{A(SO)}$ | Data output access time | — | — | 7 | — | ns |
| $t_{DIS(SO)}$ | Data output disable time | — | — | 8 | — | ns |
| $t_{V(SO)}$ | Data output valid time | — | — | 10 | — | ns |
| $t_{SU(SI)}$ | Data input setup time | — | — | 10 | — | ns |
| $t_{H(SI)}$ | Data input hold time | — | 0 | — | — | ns |

(1) Based on characterization, not tested in production.

Figure 4-8. SPI timing diagram - master mode

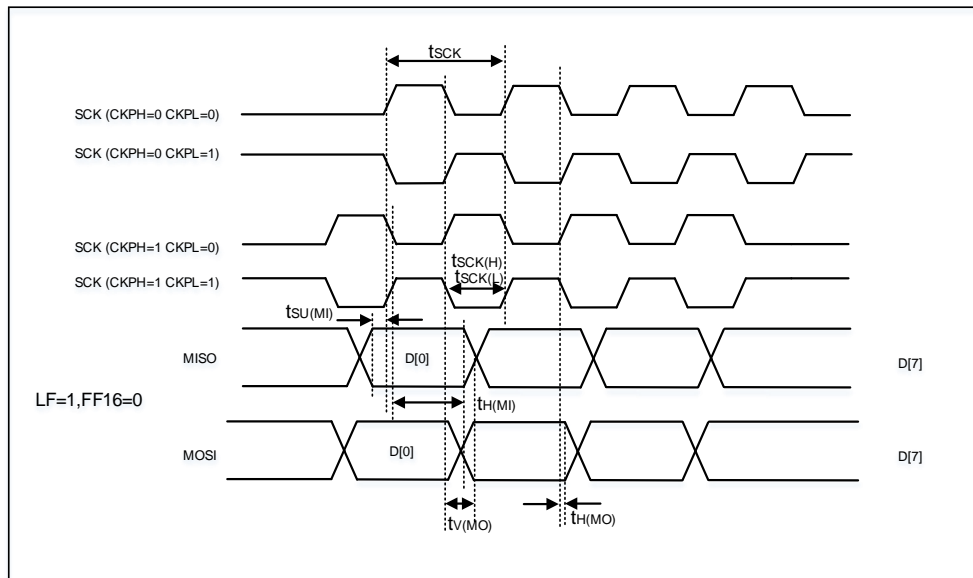
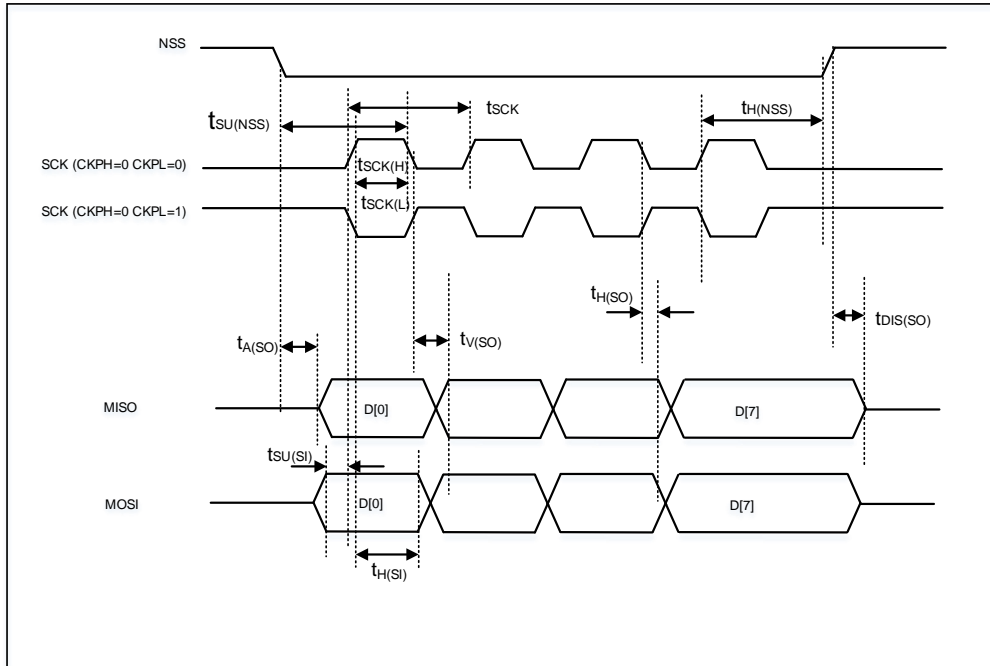


Figure 4-9. SPI timing diagram - slave mode



4.18 I2S characteristics

Table 4-35. I2S characteristics⁽¹⁾

| Symbol | Parameter | Conditions | Min | Typ | Max | Unit |
|------------------|----------------------------------|--|-----|------|-----|------|
| f_{CK} | Clock frequency | Master mode (data: 16 bits, Audio frequency = 96 kHz) | — | 3.12 | — | MHz |
| | | Slave mode | — | 10 | — | |
| t_H | Clock high time | — | — | 160 | — | ns |
| t_L | Clock low time | | — | 160 | — | ns |
| $t_{V(WS)}$ | WS valid time | Master mode | — | 3 | — | ns |
| $t_{H(WS)}$ | WS hold time | Master mode | — | 3 | — | ns |
| $t_{SU(WS)}$ | WS setup time | Slave mode | 0 | — | — | ns |
| $t_{H(WS)}$ | WS hold time | Slave mode | 3 | — | — | ns |
| $D_{ucy(sck)}$ | I2S slave input clock duty cycle | Slave mode | — | 50 | — | % |
| $t_{SU(SD_MR)}$ | Data input setup time | Master mode | 0 | — | — | ns |
| $t_{SU(SD_SR)}$ | Data input setup time | Slave mode | 0 | — | — | ns |
| $t_{H(SD_MR)}$ | Data input hold time | Master receiver | 2 | — | — | ns |
| $t_{H(SD_SR)}$ | | Slave receiver | 2 | — | — | ns |
| $t_{V(SD_ST)}$ | Data output valid time | Slave transmitter (after enable edge) | — | 12 | — | ns |
| $t_{H(SD_ST)}$ | Data output hold time | Slave transmitter (after enable edge) | — | 10 | — | ns |
| $t_{V(SD_MT)}$ | Data output valid time | Master transmitter (after enable edge) | — | 10 | — | ns |
| $t_{H(SD_MT)}$ | Data output hold time | Master transmitter (after enable edge) | — | 7 | — | ns |

(1) Based on characterization, not tested in production.

Figure 4-10. I2S timing diagram - master mode

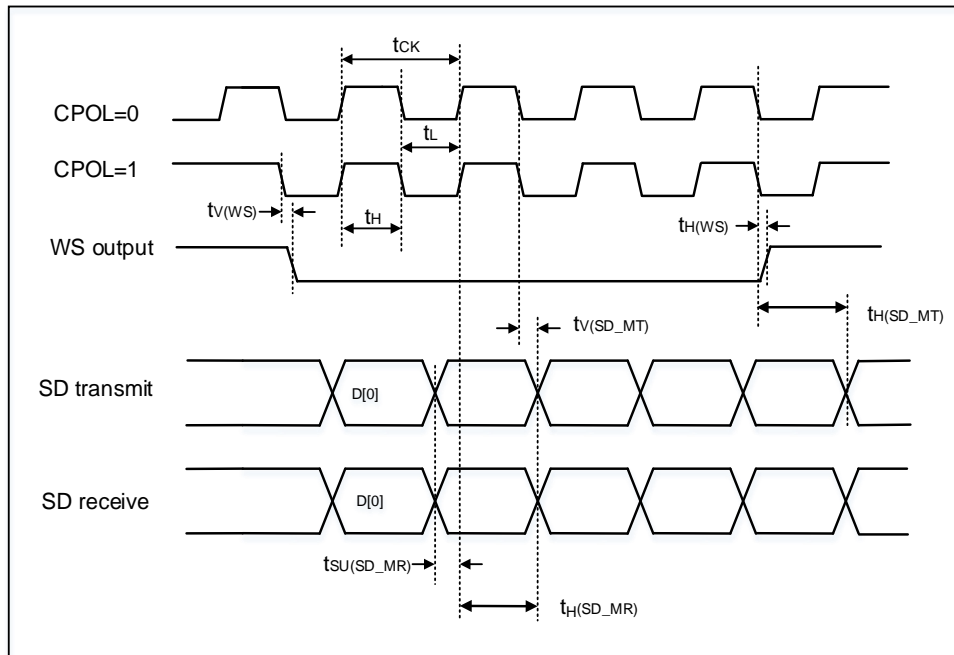
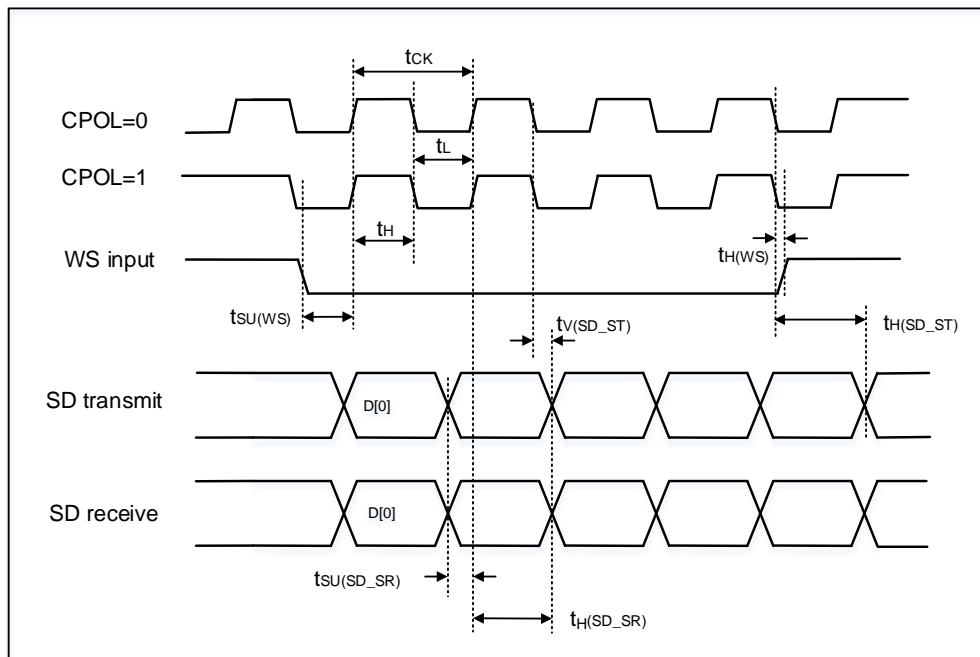


Figure 4-11. I2S timing diagram - slave mode



4.19 USART characteristics

Table 4-36. USART characteristics⁽¹⁾

| Symbol | Parameter | Conditions | Min | Typ | Max | Unit |
|---------------------|---------------------|------------|-------|-----|-----|------|
| f _{SCK} | SCK clock frequency | — | — | — | 36 | MHz |
| t _{SCK(H)} | SCK clock high time | — | 13.89 | — | — | ns |
| t _{SCK(L)} | SCK clock low time | — | 13.89 | — | — | ns |

(1) Guaranteed by design, not tested in production.

4.20 WDGT characteristics

Table 4-37. FWDGT min/max timeout period at 40 kHz (IRC40K)⁽¹⁾

| Prescaler divider | PR[2:0] bits | Min timeout RLD[11:0]= | Max timeout RLD[11:0]= | Unit |
|-------------------|--------------|------------------------|------------------------|------|
| | | 0x000 | 0xFF | |
| 1/4 | 000 | 0.025 | 409.525 | ms |
| 1/8 | 001 | 0.025 | 819.025 | |
| 1/16 | 010 | 0.025 | 1638.025 | |
| 1/32 | 011 | 0.025 | 3276.025 | |
| 1/64 | 100 | 0.025 | 6552.025 | |
| 1/128 | 101 | 0.025 | 13104.025 | |
| 1/256 | 110 or 111 | 0.025 | 26208.025 | |

(1) Guaranteed by design, not tested in production.

Table 4-38. WWDGT min-max timeout value at 72 MHz (f_{PCLK1})⁽¹⁾

| Prescaler divider | PSC[1:0] | Min timeout value | Unit | Max timeout value | Unit |
|-------------------|----------|-------------------|------|-------------------|------|
| | | CNT[6:0] = 0x40 | | CNT[6:0] = 0x7F | |
| 1/1 | 00 | 56.89 | μs | 3.64 | ms |
| 1/2 | 01 | 113.78 | | 7.28 | |
| 1/4 | 10 | 227.56 | | 14.56 | |
| 1/8 | 11 | 455.11 | | 29.12 | |

(1) Guaranteed by design, not tested in production.

4.21 Parameter conditions

Unless otherwise specified, all values given for V_{DD} = V_{DDA} = 3.3 V, T_A = 25 °C.

5 Package information

5.1 LQFP48 package outline dimensions

Figure 5-1. LQFP48 package outline

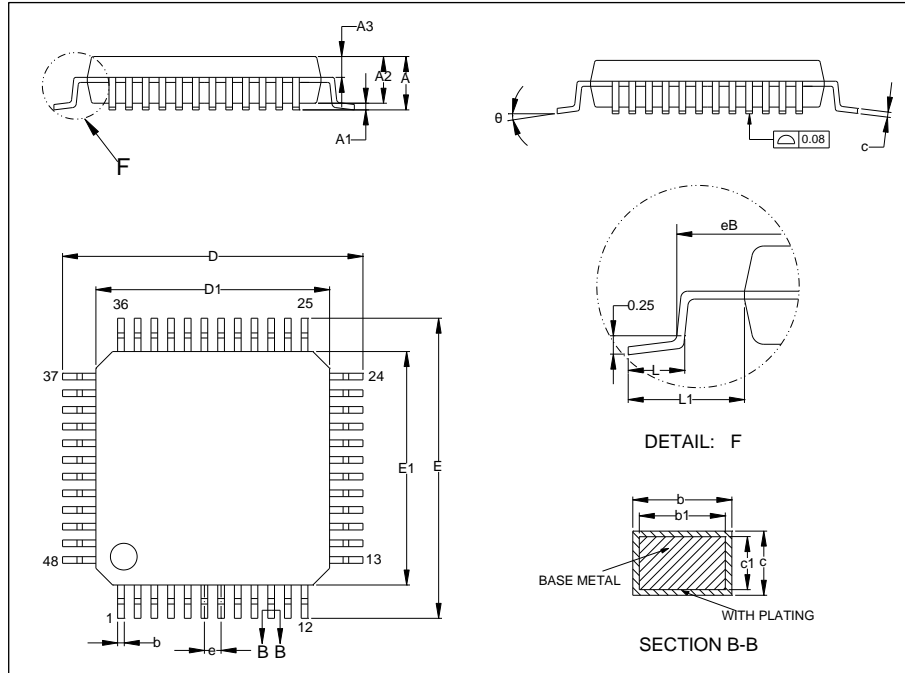
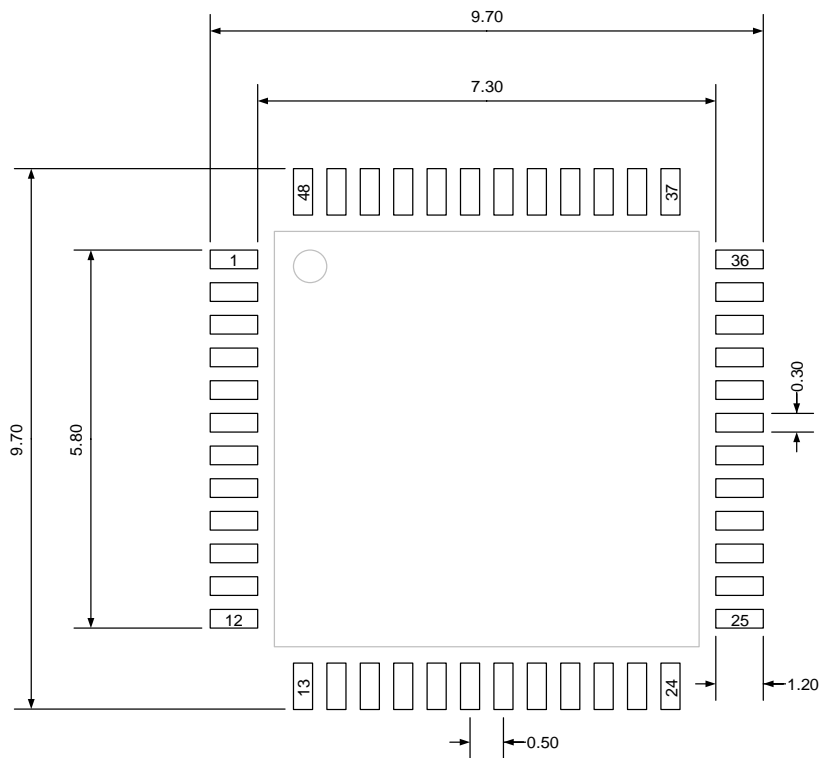


Table 5-1. LQFP48 package dimensions

| Symbol | Min | Typ | Max |
|----------|------|------|------|
| A | — | — | 1.60 |
| A1 | 0.05 | — | 0.15 |
| A2 | 1.35 | 1.40 | 1.45 |
| A3 | 0.59 | 0.64 | 0.69 |
| b | 0.18 | — | 0.26 |
| b1 | 0.17 | 0.20 | 0.23 |
| c | 0.13 | — | 0.17 |
| c1 | 0.12 | 0.13 | 0.14 |
| D | 8.80 | 9.00 | 9.20 |
| D1 | 6.90 | 7.00 | 7.10 |
| E | 8.80 | 9.00 | 9.20 |
| E1 | 6.90 | 7.00 | 7.10 |
| e | — | 0.50 | — |
| eB | 8.10 | — | 8.25 |
| L | 0.45 | — | 0.75 |
| L1 | — | 1.00 | — |
| θ | 0° | — | 7° |

(Original dimensions are in millimeters)

Figure 5-2. LQFP48 recommended footprint



(Original dimensions are in millimeters)

5.2 QFN48 package outline dimensions

Figure 5-3. QFN48 package outline

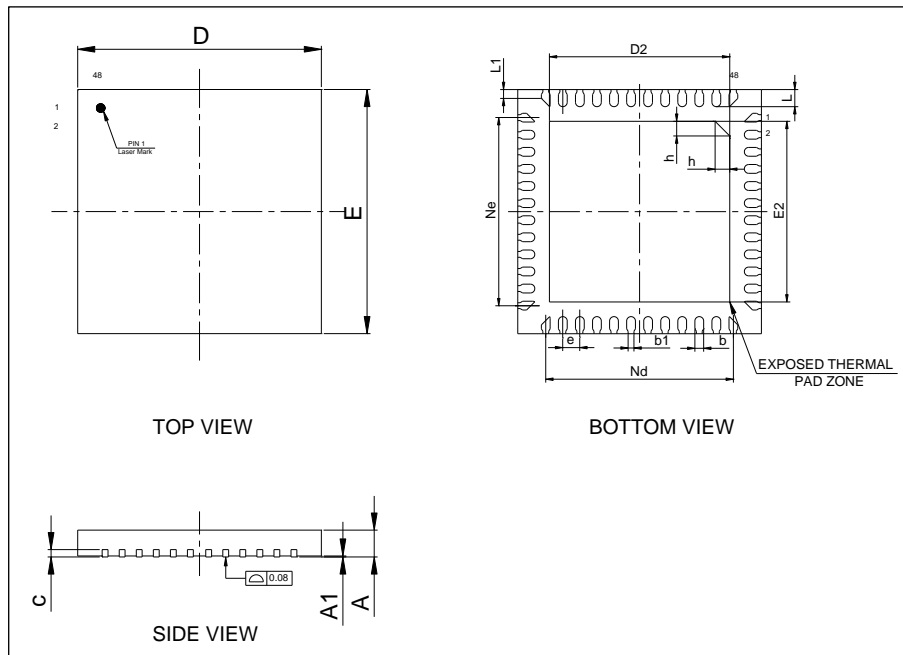
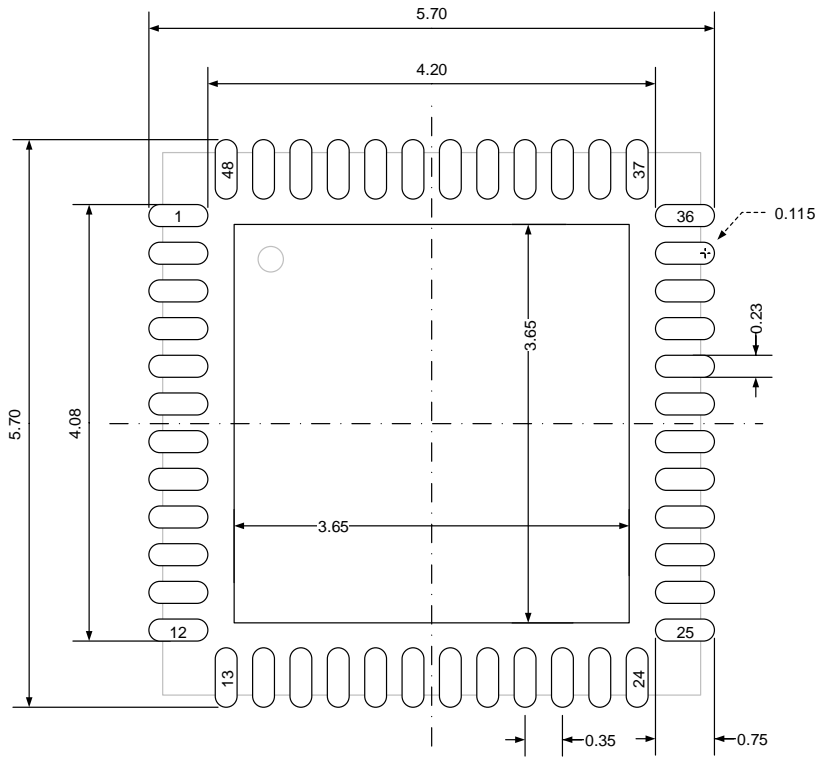


Table 5-2. QFN48 package dimensions

| Symbol | Min | Typ | Max |
|--------|------|------|------|
| A | 0.50 | 0.55 | 0.60 |
| A1 | 0 | 0.02 | 0.05 |
| b | 0.13 | 0.18 | 0.23 |
| b1 | — | 0.12 | — |
| c | 0.10 | 0.15 | 0.20 |
| D | 4.90 | 5.00 | 5.10 |
| D2 | 3.60 | 3.70 | 3.80 |
| E | 4.90 | 5.00 | 5.10 |
| E2 | 3.60 | 3.70 | 3.80 |
| e | — | 0.35 | — |
| h | 0.25 | 0.30 | 0.35 |
| L | 0.30 | 0.35 | 0.40 |
| L1 | 0.13 | 0.18 | 0.23 |
| Nd | — | 3.85 | — |
| Ne | — | 3.85 | — |

(Original dimensions are in millimeters)

Figure 5-4. QFN48 recommended footprint



(Original dimensions are in millimeters)

5.3 LQFP32 package outline dimensions

Figure 5-5. LQFP32 package outline

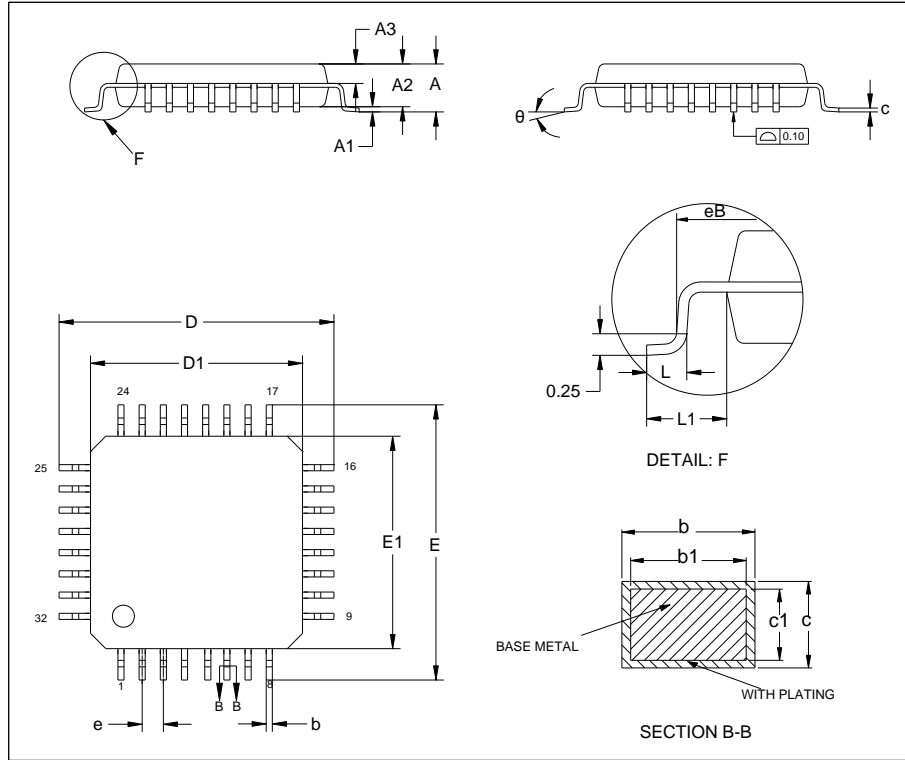
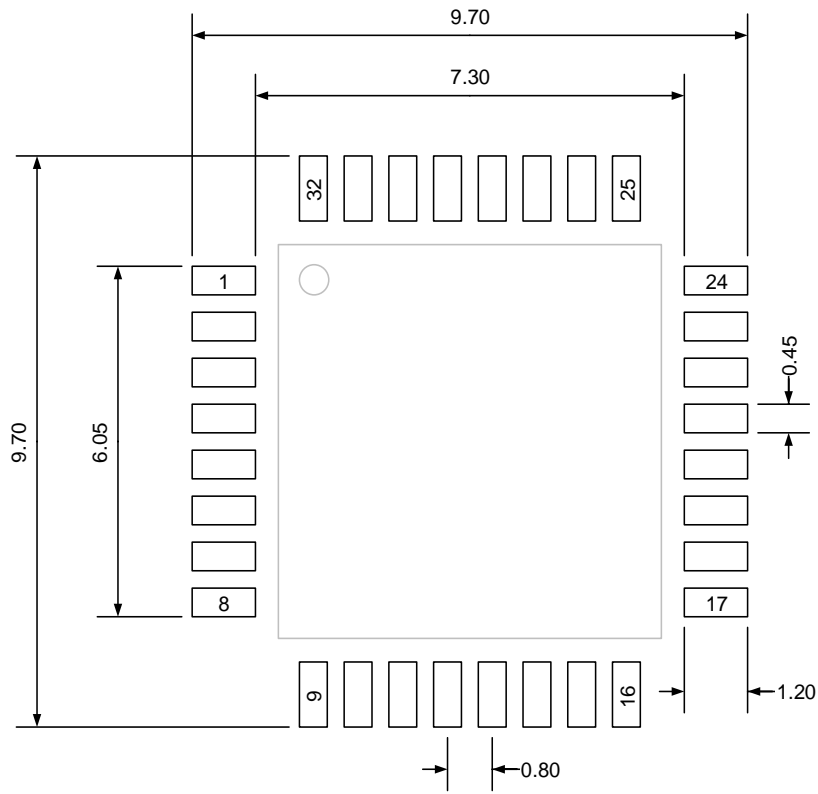


Table 5-3. LQFP32 package dimensions

| Symbol | Min | Typ | Max |
|--------|------|------|------|
| A | — | — | 1.60 |
| A1 | 0.05 | — | 0.15 |
| A2 | 1.35 | 1.40 | 1.45 |
| A3 | 0.59 | 0.64 | 0.69 |
| b | 0.33 | — | 0.41 |
| b1 | 0.32 | 0.35 | 0.38 |
| c | 0.13 | — | 0.17 |
| c1 | 0.12 | 0.13 | 0.14 |
| D | 8.80 | 9.00 | 9.20 |
| D1 | 6.90 | 7.00 | 7.10 |
| E | 8.80 | 9.00 | 9.20 |
| E1 | 6.90 | 7.00 | 7.10 |
| e | — | 0.80 | — |
| eB | 8.10 | — | 8.25 |
| L | 0.45 | — | 0.75 |
| L1 | — | 1.00 | — |
| θ | 0° | — | 7° |

(Original dimensions are in millimeters)

Figure 5-6. LQFP32 recommended footprint



(Original dimensions are in millimeters)

5.4 QFN32 package outline dimensions

Figure 5-7. QFN32 package outline

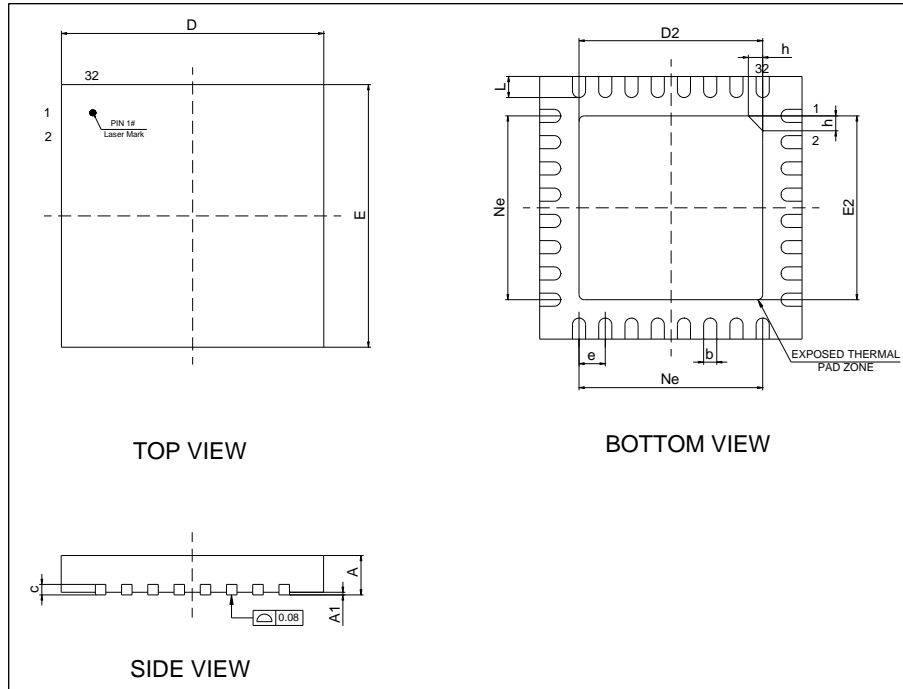
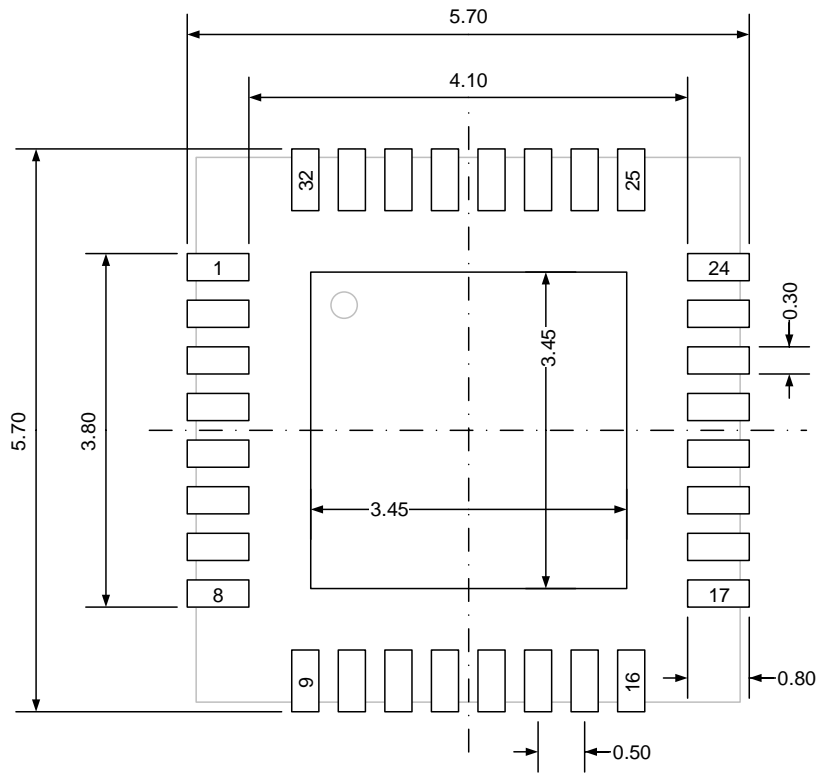


Table 5-4. QFN32 package dimensions

| Symbol | Min | Typ | Max |
|--------|------|------|------|
| A | 0.70 | 0.75 | 0.80 |
| A1 | 0 | 0.02 | 0.05 |
| b | 0.18 | 0.25 | 0.30 |
| c | 0.18 | 0.20 | 0.25 |
| D | 4.90 | 5.00 | 5.10 |
| D2 | 3.40 | 3.50 | 3.60 |
| E | 4.90 | 5.00 | 5.10 |
| E2 | 3.40 | 3.50 | 3.60 |
| e | — | 0.50 | — |
| h | 0.30 | 0.35 | 0.40 |
| L | 0.35 | 0.40 | 0.45 |
| Ne | — | 3.50 | — |

(Original dimensions are in millimeters)

Figure 5-8. QFN32 recommended footprint



(Original dimensions are in millimeters)

5.5 QFN28 package outline dimensions

Figure 5-9. QFN28 package outline

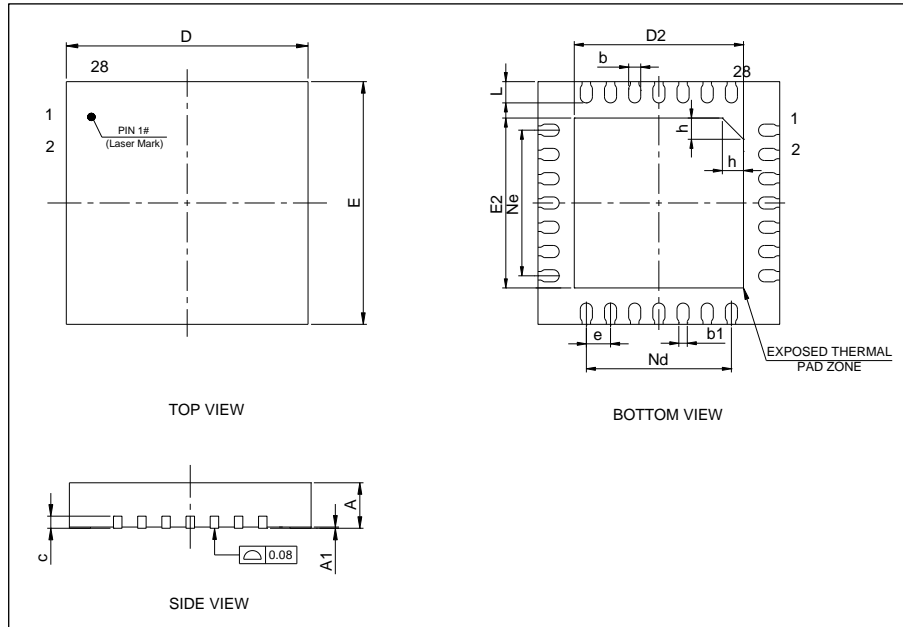
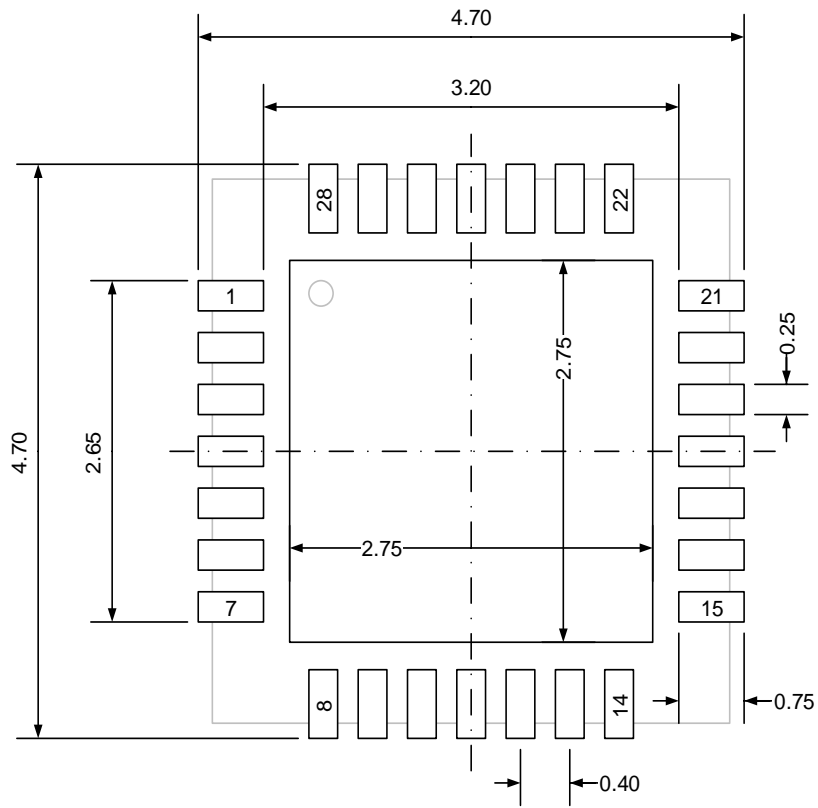


Table 5-5. QFN28 package dimensions

| Symbol | Min | Typ | Max |
|--------|------|------|------|
| A | 0.70 | 0.75 | 0.80 |
| A1 | 0 | 0.02 | 0.05 |
| b | 0.15 | 0.20 | 0.25 |
| b1 | — | 0.14 | — |
| c | 0.18 | 0.20 | 0.25 |
| D | 3.90 | 4.00 | 4.10 |
| D2 | 2.70 | 2.80 | 2.90 |
| E | 3.90 | 4.00 | 4.10 |
| E2 | 2.70 | 2.80 | 2.90 |
| e | — | 0.40 | — |
| h | 0.30 | 0.35 | 0.40 |
| L | 0.30 | 0.35 | 0.40 |
| Nd | — | 2.40 | — |
| Ne | — | 2.40 | — |

(Original dimensions are in millimeters)

Figure 5-10. QFN28 recommended footprint



(Original dimensions are in millimeters)

5.6 TSSOP24 package outline dimensions

Figure 5-11. TSSOP24 package outline

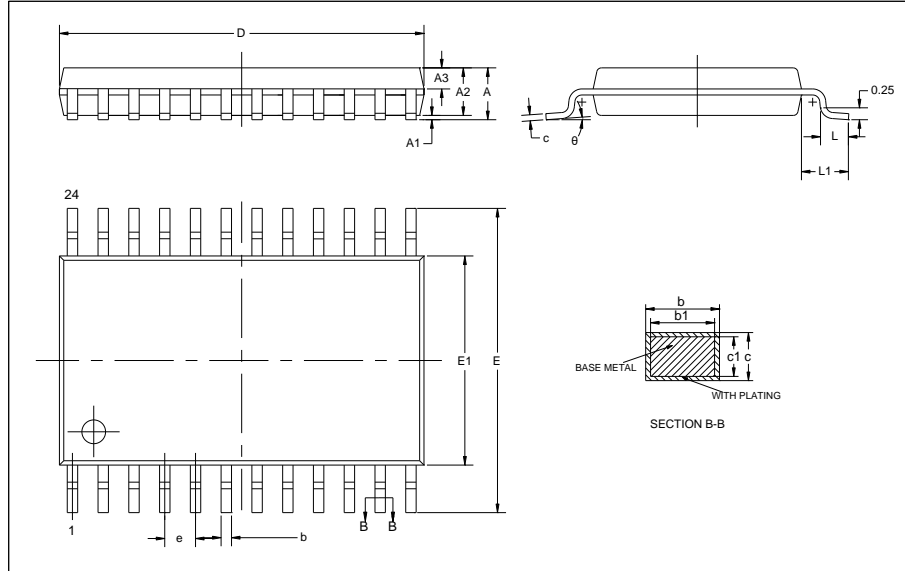
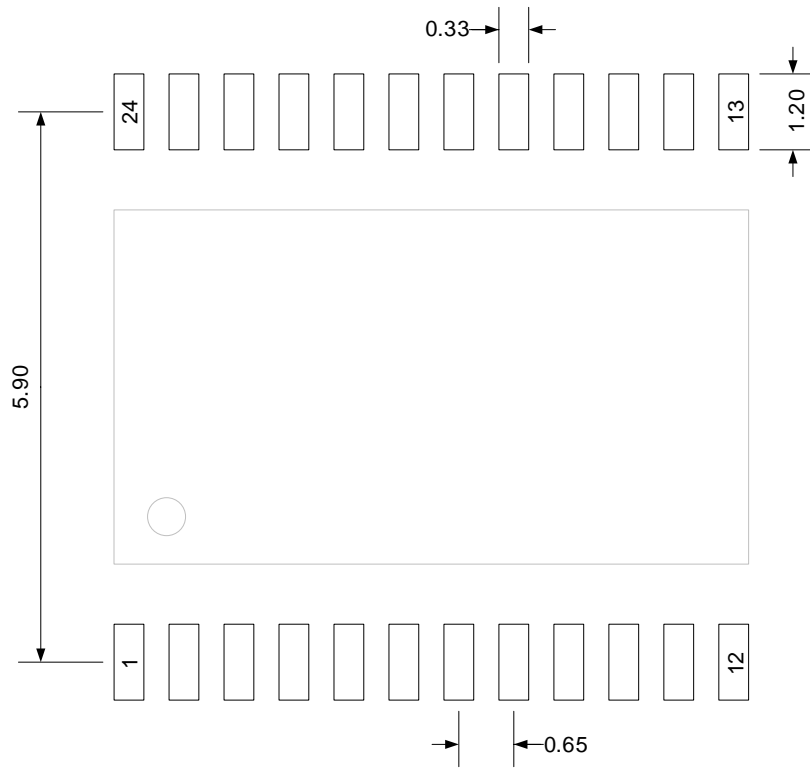


Table 5-6. TSSOP24 package dimensions

| Symbol | Min | Typ | Max |
|----------|------|------|------|
| A | — | — | 1.20 |
| A1 | 0.05 | — | 0.15 |
| A2 | 0.80 | 1.00 | 1.05 |
| A3 | 0.39 | 0.44 | 0.49 |
| b | 0.20 | — | 0.29 |
| b1 | 0.19 | 0.22 | 0.25 |
| c | 0.13 | — | 0.18 |
| c1 | 0.12 | 0.13 | 0.14 |
| D | 7.70 | 7.80 | 7.90 |
| E | 6.20 | 6.40 | 6.60 |
| E1 | 4.30 | 4.40 | 4.50 |
| e | — | 0.65 | — |
| L | 0.45 | 0.60 | 0.75 |
| L1 | — | 1.00 | — |
| θ | 0° | — | 8° |

(Original dimensions are in millimeters)

Figure 5-12. TSSOP24 recommended footprint



(Original dimensions are in millimeters)

5.7 TSSOP20 package outline dimensions

Figure 5-13. TSSOP20 package outline

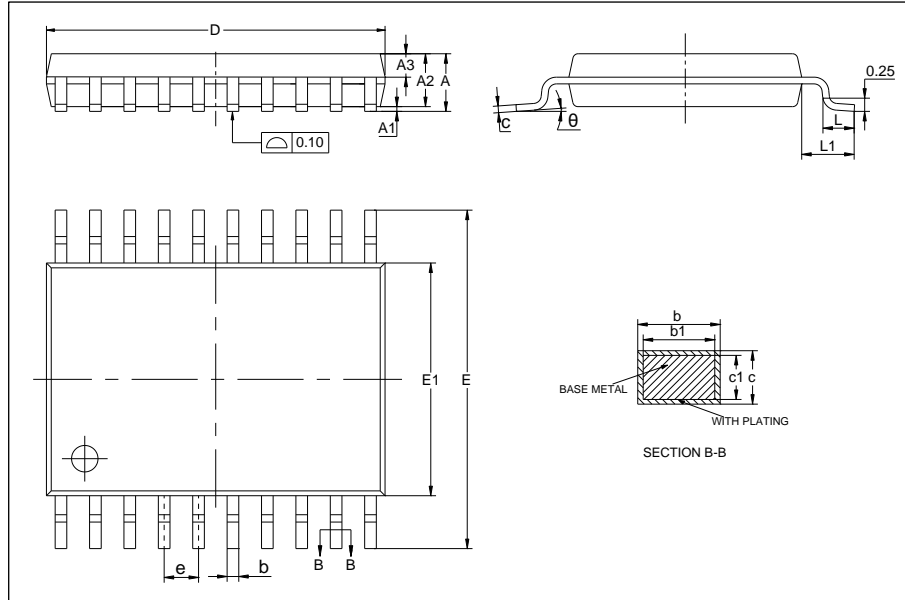
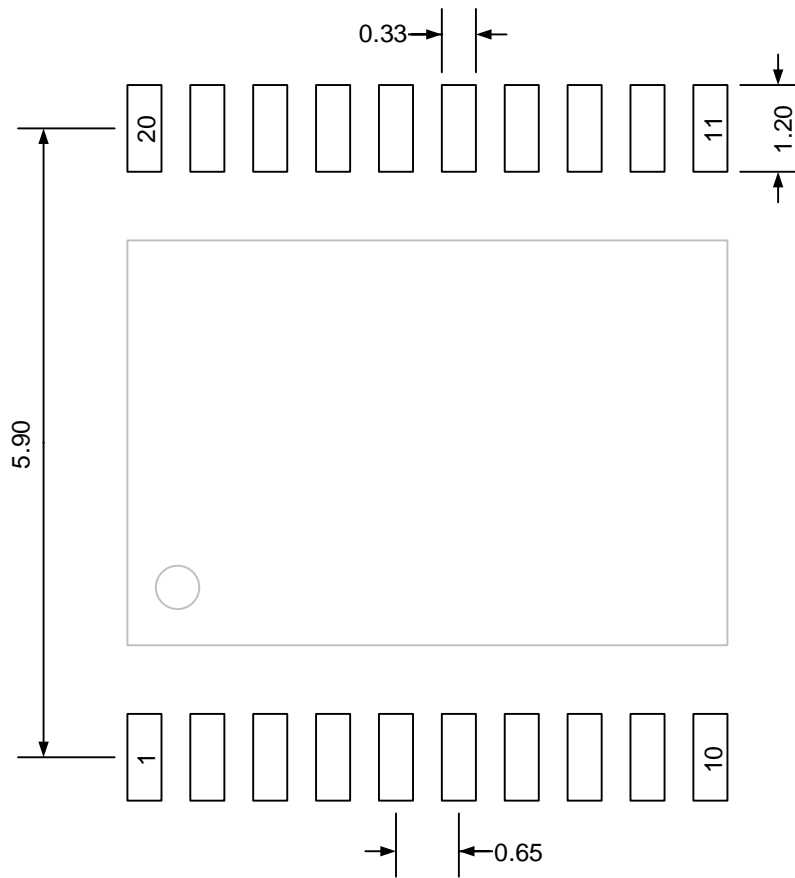


Table 5-7. TSSOP20 package dimensions

| Symbol | Min | Typ | Max |
|----------|------|------|------|
| A | — | — | 1.20 |
| A1 | 0.05 | — | 0.15 |
| A2 | 0.80 | 1.00 | 1.05 |
| A3 | 0.39 | 0.44 | 0.49 |
| b | 0.20 | — | 0.28 |
| b1 | 0.19 | 0.22 | 0.25 |
| c | 0.13 | — | 0.17 |
| c1 | 0.12 | 0.13 | 0.14 |
| D | 6.40 | 6.50 | 6.60 |
| E | 6.20 | 6.40 | 6.60 |
| E1 | 4.30 | 4.40 | 4.50 |
| e | — | 0.65 | — |
| L | 0.45 | 0.60 | 0.75 |
| L1 | — | 1.00 | — |
| θ | 0° | — | 8° |

(Original dimensions are in millimeters)

Figure 5-14. TSSOP20 recommended footprint



(Original dimensions are in millimeters)

5.8 LGA20 package outline dimensions

Figure 5-15. LGA20 package outline

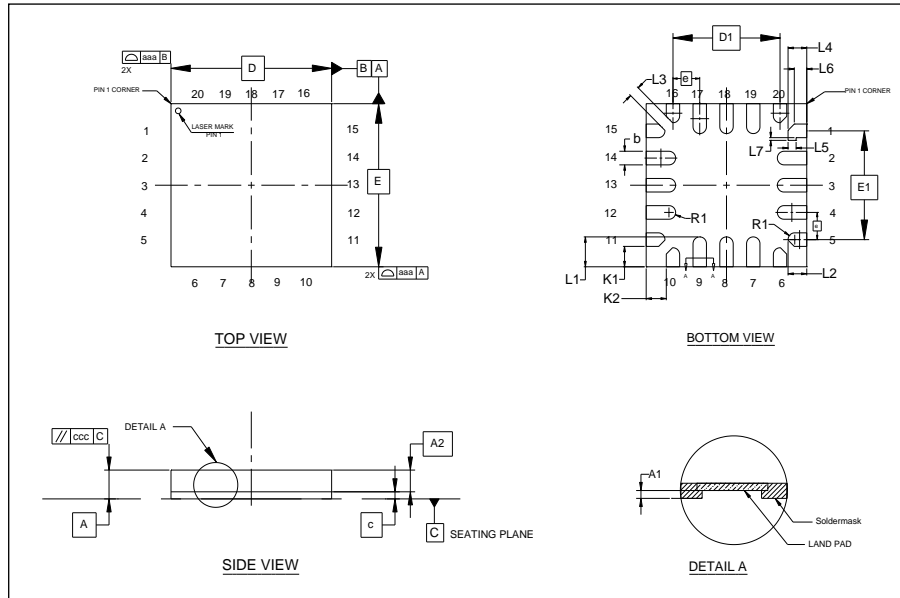
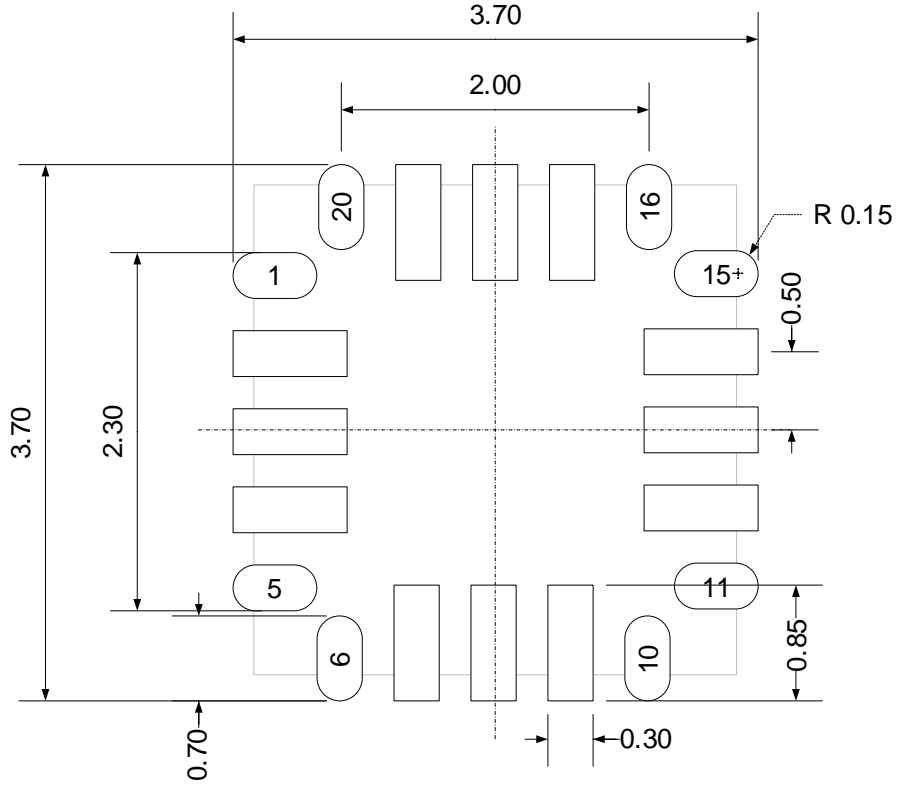


Table 5-8. LGA20 package dimensions

| Symbol | Min | Typ | Max |
|--------|------|-------|-------|
| A | 0.51 | 0.56 | 0.61 |
| A1 | — | 0.015 | 0.022 |
| A2 | 0.35 | 0.40 | 0.45 |
| b | 0.20 | 0.25 | 0.30 |
| c | 0.13 | 0.16 | 0.19 |
| D | 2.90 | 3.00 | 3.10 |
| D1 | 1.95 | 2.00 | 2.05 |
| E | 2.90 | 3.00 | 3.10 |
| E1 | 1.95 | 2.00 | 2.05 |
| e | — | 0.50 | — |
| K1 | — | 0.375 | — |
| K2 | — | 0.375 | — |
| L1 | 0.50 | 0.55 | 0.60 |
| L2 | 0.30 | 0.35 | 0.40 |
| L3 | — | 0.20 | — |
| L4 | 0.30 | 0.35 | 0.40 |
| L5 | — | 0.125 | — |
| L6 | — | 0.234 | — |
| L7 | — | 0.05 | — |
| R1 | — | 0.125 | — |
| aaa | — | 0.10 | — |
| ccc | — | 0.08 | — |

(Original dimensions are in millimeters)

Figure 5-16. LGA20 recommended footprint



(Original dimensions are in millimeters)

5.9 Thermal characteristics

Thermal resistance is used to characterize the thermal performance of the package device, which is represented by the Greek letter “ θ ”. For semiconductor devices, thermal resistance represents the steady-state temperature rise of the chip junction due to the heat dissipated on the chip surface.

θ_{JA} : Thermal resistance, junction-to-ambient.

θ_{JB} : Thermal resistance, junction-to-board.

θ_{JC} : Thermal resistance, junction-to-case.

Ψ_{JB} : Thermal characterization parameter, junction-to-board.

Ψ_{JT} : Thermal characterization parameter, junction-to-top center.

$$\theta_{JA}=(T_J-T_A)/P_D \quad (5-1)$$

$$\theta_{JB}=(T_J-T_B)/P_D \quad (5-2)$$

$$\theta_{JC}=(T_J-T_C)/P_D \quad (5-3)$$

Where, T_J = Junction temperature.

T_A = Ambient temperature

T_B = Board temperature

T_C = Case temperature which is monitoring on package surface

P_D = Total power dissipation

θ_{JA} represents the resistance of the heat flows from the heating junction to ambient air. It is an indicator of package heat dissipation capability. Lower θ_{JA} can be considerate as better overall thermal performance. θ_{JA} is generally used to estimate junction temperature.

θ_{JB} is used to measure the heat flow resistance between the chip surface and the PCB board.

θ_{JC} represents the thermal resistance between the chip surface and the package top case.

θ_{JC} is mainly used to estimate the heat dissipation of the system (using heat sink or other heat dissipation methods outside the device package).

Table 5-9. Package thermal characteristics⁽¹⁾

| Symbol | Condition | Package | Value | Unit |
|---------------|------------------------------|---------|-------|------|
| θ_{JA} | Natural convection, 2S2P PCB | LQFP48 | 69.64 | °C/W |
| | | QFN48 | 42.58 | |
| | | LQFP32 | 55.26 | |
| | | QFN32 | 42.58 | |
| | | QFN28 | 47.32 | |
| | | TSSOP24 | 66.6 | |
| | | TSSOP20 | 67.24 | |

| Symbol | Condition | Package | Value | Unit |
|---------------|------------------------------|---------|-------|------|
| | | LGA20 | 96.08 | |
| θ_{JB} | Cold plate, 2S2P PCB | LQFP48 | 43.16 | °C/W |
| | | QFN48 | 12.22 | |
| | | LQFP32 | 26.24 | |
| | | QFN32 | 12.22 | |
| | | QFN28 | 12.97 | |
| | | TSSOP24 | 38.6 | |
| | | TSSOP20 | 37.72 | |
| | | LGA20 | 58.46 | |
| θ_{JC} | Cold plate, 2S2P PCB | LQFP48 | 25.36 | °C/W |
| | | QFN48 | 16.76 | |
| | | LQFP32 | 25.23 | |
| | | QFN32 | 16.76 | |
| | | QFN28 | 20.26 | |
| | | TSSOP24 | 26 | |
| | | TSSOP20 | 25.06 | |
| | | LGA20 | 31.54 | |
| ψ_{JB} | Natural convection, 2S2P PCB | LQFP48 | 47.75 | °C/W |
| | | QFN48 | 12.81 | |
| | | LQFP32 | 32.03 | |
| | | QFN32 | 12.81 | |
| | | QFN28 | 13.07 | |
| | | TSSOP24 | 42.8 | |
| | | TSSOP20 | 49.07 | |
| | | LGA20 | 58.61 | |
| ψ_{JT} | Natural convection, 2S2P PCB | LQFP48 | 2.45 | °C/W |
| | | QFN48 | 0.69 | |
| | | LQFP32 | 2.06 | |
| | | QFN32 | 0.69 | |
| | | QFN28 | 0.75 | |
| | | TSSOP24 | 2.3 | |
| | | TSSOP20 | 2.37 | |
| | | LGA20 | 1.83 | |

(1). Thermal characteristics are based on simulation, and meet JEDEC specification.

6 Ordering information

Table 6-1. Part ordering code for GD32E235xx devices

| Ordering code | Flash (KB) | Package | Package type | Temperature operating range |
|----------------|------------|---------|--------------|---------------------------------|
| GD32E235CBT6 | 128 | LQFP48 | Green | Industrial -40 °C to +85 °C |
| GD32E235CBT7 | 128 | LQFP48 | Green | Industrial -40 °C to +105 °C |
| GD32E235C8T6 | 64 | LQFP48 | Green | Industrial -40 °C to +85 °C |
| GD32E235C8T7 | 64 | LQFP48 | Green | Industrial -40 °C to +105 °C |
| GD32E235C6T6 | 32 | LQFP48 | Green | Industrial -40 °C to +85 °C |
| GD32E235C4T6 | 16 | LQFP48 | Green | Industrial -40 °C to +85 °C |
| GD32E235CBO6 | 128 | QFN48 | Green | Industrial -40 °C to +85 °C |
| GD32E235KBT6 | 128 | LQFP32 | Green | Industrial -40 °C to +85 °C |
| GD32E235K8T6 | 64 | LQFP32 | Green | Industrial -40 °C to +85 °C |
| GD32E235K6T6 | 32 | LQFP32 | Green | Industrial -40 °C to +85 °C |
| GD32E235K4T6 | 16 | LQFP32 | Green | Industrial -40 °C to +85 °C |
| GD32E235KBU6 | 128 | QFN32 | Green | Industrial -40 °C to +85 °C |
| GD32E235K8U6 | 64 | QFN32 | Green | Industrial -40 °C to +85 °C |
| GD32E235K8U7 | 64 | QFN32 | Green | Industrial -40 °C to +105 °C |
| GD32E235K6U6 | 32 | QFN32 | Green | Industrial -40 °C to +85 °C |
| GD32E235K4U6 | 16 | QFN32 | Green | Industrial -40 °C to +85 °C |
| GD32E235GBU7TR | 128 | QFN28 | Green | Industrial -40 °C to +105 °C |
| GD32E235G8U6TR | 64 | QFN28 | Green | Industrial -40 °C to +85 °C |
| GD32E235G6U6TR | 32 | QFN28 | Green | Industrial -40 °C to +85 °C |
| GD32E235G4U6TR | 16 | QFN28 | Green | Industrial -40 °C to +85 °C |
| GD32E235E8P6TR | 64 | TSSOP24 | Green | Industrial -40 °C to +85 °C |
| GD32E235F8V6TR | 64 | LGA20 | Green | Industrial -40 °C to +85 °C |
| GD32E235F6V6TR | 32 | LGA20 | Green | Industrial -40 °C to +85 °C |
| GD32E235F4V6TR | 16 | LGA20 | Green | Industrial -40 °C to +85 °C |

| Ordering code | Flash (KB) | Package | Package type | Temperature operating range |
|----------------|------------|---------|--------------|--------------------------------|
| GD32E235F8P6TR | 64 | TSSOP20 | Green | Industrial -40 °C to +85 °C |
| GD32E235F6P6TR | 32 | TSSOP20 | Green | Industrial -40 °C to +85 °C |
| GD32E235F4P6TR | 16 | TSSOP20 | Green | Industrial -40 °C to +85 °C |

7 Revision history

Table 7-1. Revision history

| Revision No. | Description | Date |
|--------------|--|---------------|
| 1.0 | Initial Release | Feb.1, 2024 |
| 1.1 | <ol style="list-style-type: none"> 1. Update <u>Figure 2 5. GD32E235Gx QFN28 pinouts</u>, add EPAD information 2. Add GD32E235CBO6 package information 3. Update <u>ordering information</u>, add GD32E235CBT7 and GD32E235C8T7 | Apr.8, 2024 |
| 1.2 | <ol style="list-style-type: none"> 1. Update POD information, refer to <u>Package information</u> 2. Update <u>ordering information</u>, add GD32E235K8U7 | Jun.3, 2024 |
| 1.3 | Update <u>ordering information</u> , add GD32E235GBU7TR | Jun.26, 2024 |
| 1.4 | Update <u>ordering information</u> , modify GD32E235GBU7TR device temperature operating range | Jul.10, 2024 |
| 1.5 | <ol style="list-style-type: none"> 1. Update memory characteristics, refer to <u>Table 4-20. Flash memory characteristics</u> 2. Add GD32E235E8P6TR package information | Sep.2, 2024 |
| 1.6 | Update description of SPI, refer to <u>Serial peripheral interface (SPI)</u> | Feb. 14, 2025 |
| 1.7 | Update the maximum power consumption from 66uA to 500uA in Deep-sleep mode when “V _{DD} = V _{DDA} = 3.3 V, LDO in normal power and low driver mode, IRC40K off, RTC off”, refer to <u>Table 4 7. Power consumption characteristics⁽²⁾⁽³⁾⁽⁴⁾⁽⁵⁾</u> | Apr. 9, 2025 |

Important Notice

This document is the property of GigaDevice Semiconductor Inc. and its subsidiaries (the "Company"). This document, including any product of the Company described in this document (the "Product"), is owned by the Company according to the laws of the People's Republic of China and other applicable laws. The Company reserves all rights under such laws and no Intellectual Property Rights are transferred (either wholly or partially) or licensed by the Company (either expressly or impliedly) herein. The names and brands of third party referred thereto (if any) are the property of their respective owner and referred to for identification purposes only.

To the maximum extent permitted by applicable law, the Company makes no representations or warranties of any kind, express or implied, with regard to the merchantability and the fitness for a particular purpose of the Product, nor does the Company assume any liability arising out of the application or use of any Product. Any information provided in this document is provided only for reference purposes. It is the sole responsibility of the user of this document to determine whether the Product is suitable and fit for its applications and products planned, and properly design, program, and test the functionality and safety of its applications and products planned using the Product. The Product is designed, developed, and/or manufactured for ordinary business, industrial, personal, and/or household applications only, and the Product is not designed or intended for use in (i) safety critical applications such as weapons systems, nuclear facilities, atomic energy controller, combustion controller, aeronautic or aerospace applications, traffic signal instruments, pollution control or hazardous substance management; (ii) life-support systems, other medical equipment or systems (including life support equipment and surgical implants); (iii) automotive applications or environments, including but not limited to applications for active and passive safety of automobiles (regardless of front market or aftermarket), for example, EPS, braking, ADAS (camera/fusion), EMS, TCU, BMS, BSG, TPMS, Airbag, Suspension, DMS, ICMS, Domain, ESC, DCDC, e-clutch, advanced-lighting, etc.. Automobile herein means a vehicle propelled by a self-contained motor, engine or the like, such as, without limitation, cars, trucks, motorcycles, electric cars, and other transportation devices; and/or (iv) other uses where the failure of the device or the Product can reasonably be expected to result in personal injury, death, or severe property or environmental damage (collectively "Unintended Uses"). Customers shall take any and all actions to ensure the Product meets the applicable laws and regulations. The Company is not liable for, in whole or in part, and customers shall hereby release the Company as well as its suppliers and/or distributors from, any claim, damage, or other liability arising from or related to all Unintended Uses of the Product. Customers shall indemnify and hold the Company, and its officers, employees, subsidiaries, affiliates as well as its suppliers and/or distributors harmless from and against all claims, costs, damages, and other liabilities, including claims for personal injury or death, arising from or related to any Unintended Uses of the Product.

Information in this document is provided solely in connection with the Product. The Company reserves the right to make changes, corrections, modifications or improvements to this document and the Product described herein at any time without notice. The Company shall have no responsibility whatsoever for conflicts or incompatibilities arising from future changes to them. Information in this document supersedes and replaces information previously supplied in any prior versions of this document.